

60C3 60 W Power Supply

Dimmable/non-dimmable damp/dry-rated 60 Watt power supplies

12
VDC

701507-60C3D
(Dimmable)

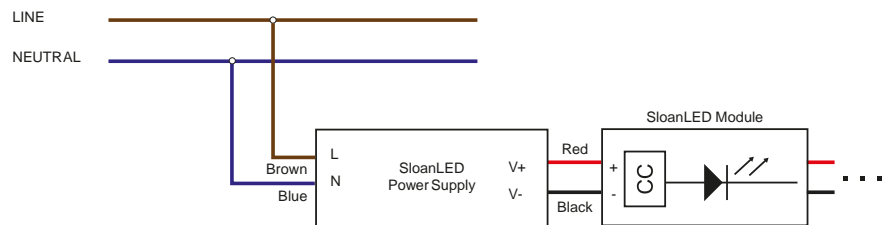


701507-60C3
(Non-dimmable)

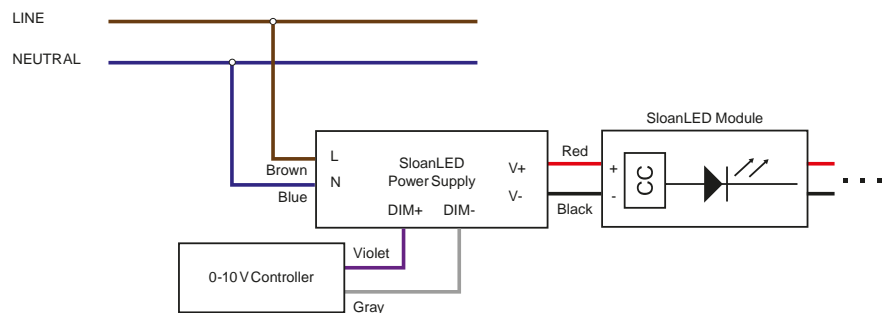
- Universal input voltage – 120 - 240 VAC, 277 VAC North America only, 50-60Hz
- Constant voltage output: 12 VDC
- Auto-resetting – No fuses to replace or circuit breaker to reset – Short circuit protection automatically resets when short condition is corrected
- UL879 and UL879A approved
- UL Listed Class P
- Simple secondary hook-ups – No minimum load or load balancing required
- 5-year product and limited labor warranty
- Rugged and compact

Wiring diagram

701507-60C3



701507-60C3D



In the end application, the maximum case temperature (T_c) shall not be exceeded 90°C .
The product is intended for IP64 environment.



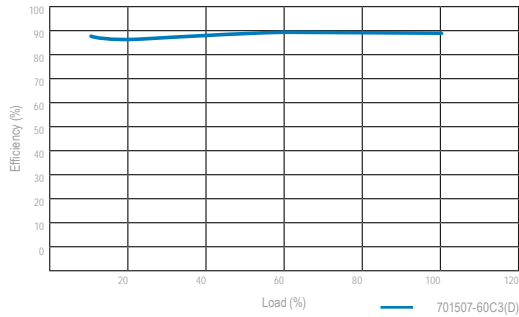
60C3 60 W Power Supply

Dimmable/non-dimmable damp/dry-rated 60 Watt power supplies

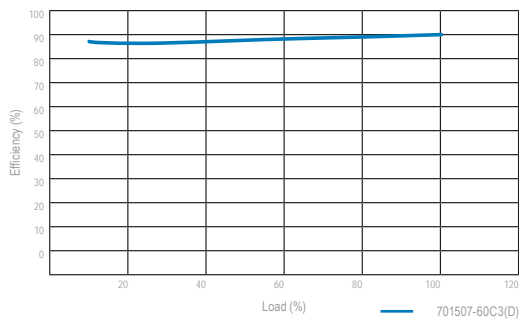
12
VDC

Efficiency

Vin: 120 VAC

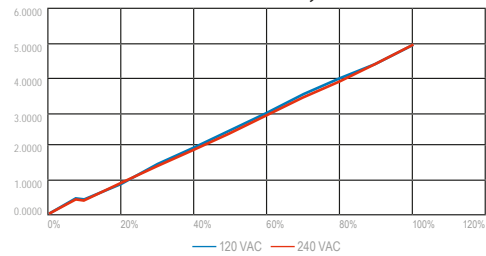


Vin: 240 VAC



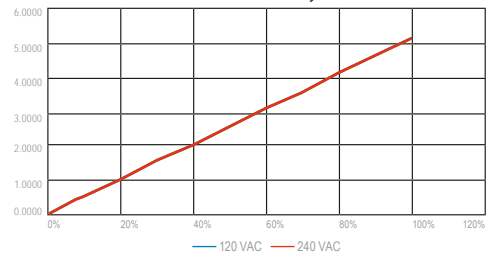
Dimming chart (Voltage dimming)

701507-60C3D only



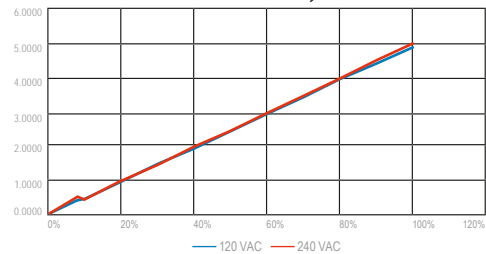
Dimming chart (PWM dimming)

701507-60C3D only



Dimming chart (Resistor dimming)

701507-60C3D only



60C3 60 W Power Supply

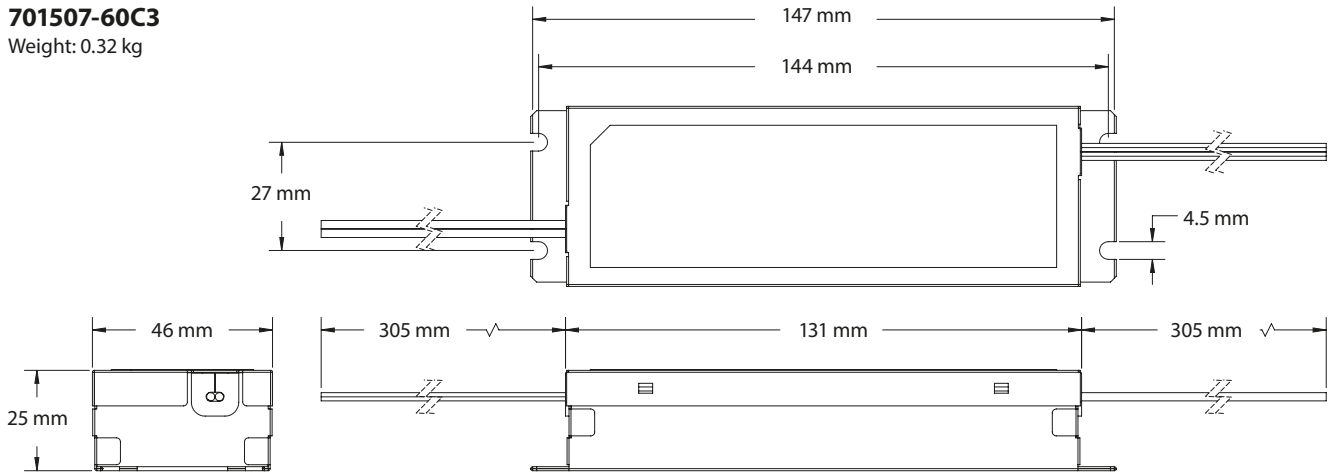
12
VDC

Dimmable/non-dimmable damp/dry-rated 60 Watt power supplies

Dimensions

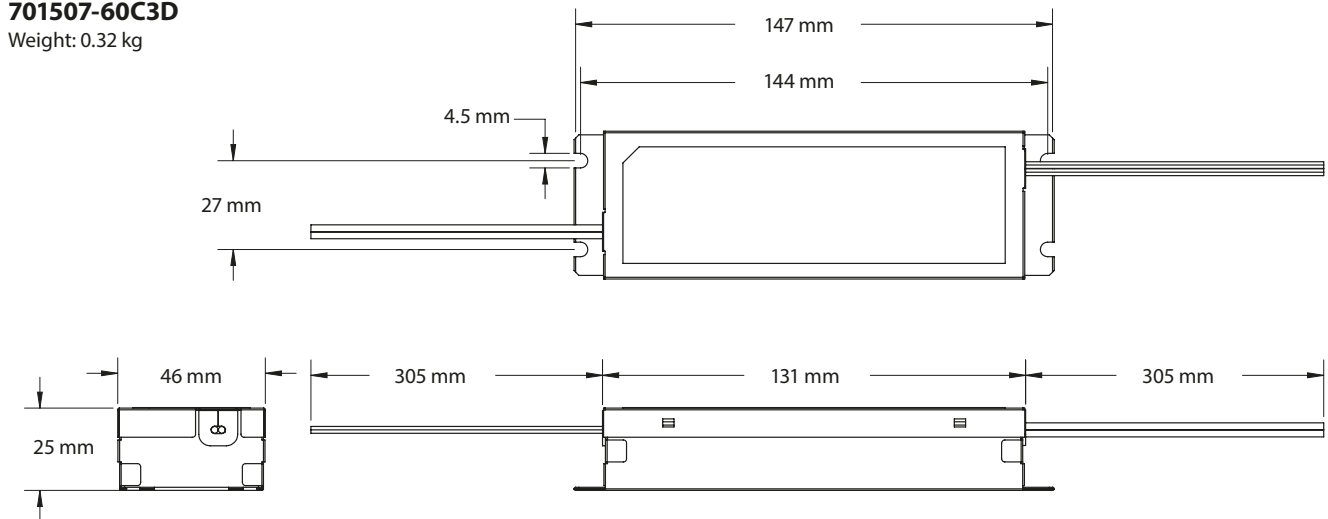
701507-60C3

Weight: 0.32 kg



701507-60C3D

Weight: 0.32 kg



SloanLED Headquarters

5725 Olivas Park Drive, Ventura, CA, USA
805.676.3200 • info@SloanLED.com

SloanLED Europe b.v.

Argonstraat 110, 2718 SN Zoetermeer, NL
+31 88 12 44 900 • europe@SloanLED.com



SloanLED.com

Specifications subject to change without notice.
© 2022 SloanLED Rev B 2022-08-30



Visit product page
for details.

Specifications subject to change without notice.

