



## LUCOLED VR30



- *5 years warranty*
- *Lucolense wide angle technology*
- *Medium efficacy*
- *Constant Current Technology*
- *Narrow white binning*

**Lucoled Value Range VR30 modules** offer a high quality and efficient backlit solution for lightboxes and channel letters between 80 and 120mm deep.

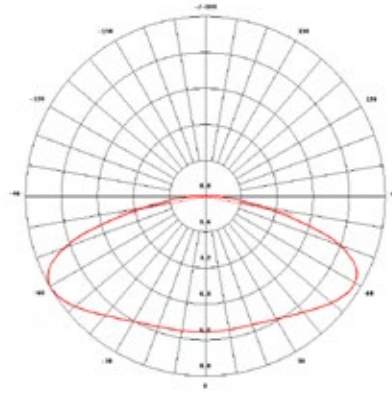
Lucoled VR series use medium efficiency LED's, optics and high quality components, resulting in a reliable, efficient, fit-for-purpose, solution for your every-day sign projects.

Lucoled VR series offer an excellent price-performance ratio and a 5 year warranty.

## SPECIFICATIONS

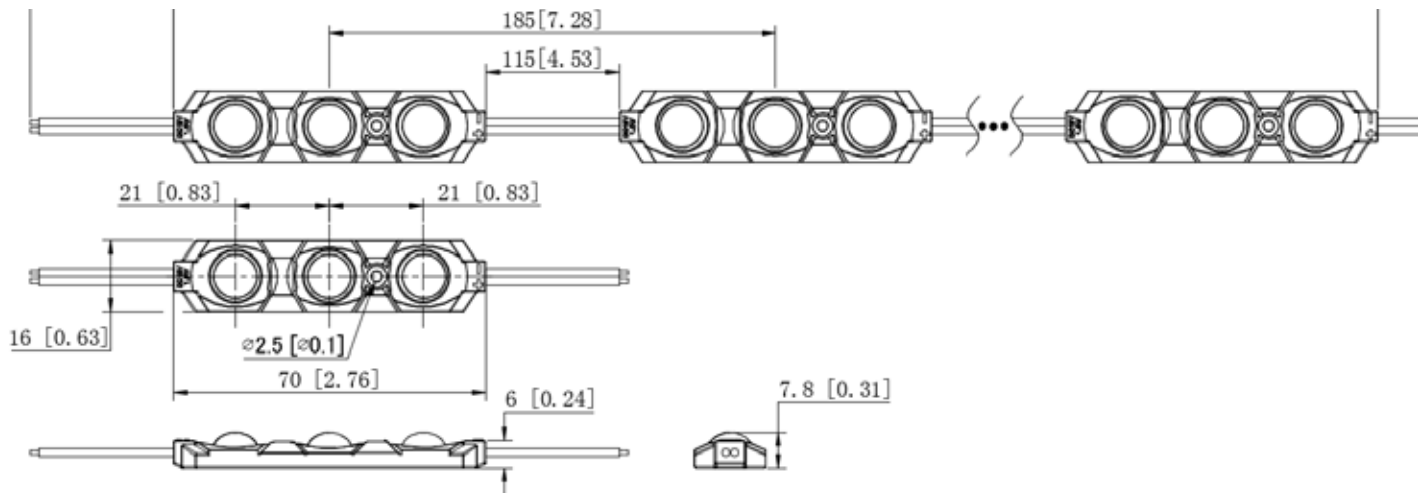
- Dimensions 70x16x7.8mm
- Warranty 5 years
- Beam angle: 160°
- Can be cut between every unit
- EL, CE and RoHS compliant
- Narrow white binning
- Constant Current Technology
- Operating temperature -25~+60°C

## LUMINOUS INTENSITY DISTRIBUTION

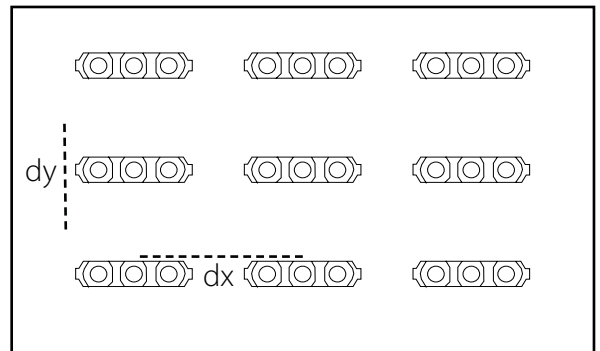


Item no	LED colour	CT (K) or nm	CRI	Power (W/mod)	Flux (lm/mod)	Efficacy (lm/W)	Voltage (DC)	Modules per chain	Modules per carton
VR30-W65	white	6500	>75	1.0	128	128	12	50	1200
VR30-R	red	620-625nm	-	0.72	27	38	12	50	1200
VR30-G	green	525-530nm	-	0.72	53	74	12	50	1200
VR30-B	blue	465-470nm	-	0.72	10	14	12	50	1200
VR30-Y	yellow	585-590nm	-	0.72	23	32	12	50	1200

## DIMENSIONS



Light box depth (mm)	Space between modules (mm)	Installing density (pcs/m <sup>2</sup> )	Surface luminance range (cd/m <sup>2</sup> )
dz=80	dx=100, dy=90	90	2440-2900
dz=100	dx=130, dy=120	56	1760-2080
dz=120	dx=185, dy=140	35	1190-1400



Results may vary depending on face material properties. The data above was obtained using 3mm thick opaque acrylic with a 54% light transmittance. Lucoled advises to paint the inside of the box/ letters in a matt white colour for achieving an optimal result. Always test before production.

## POWER SUPPLY CAPACITY 12V SERIES

Item	PP1230	PP1260	PP12100	PP12150	PP12200
Power Output	30W	60W	100W	150W	200W
VR30-W65 modules per power supply	27	54	90	135	180
VR30-R/G/B/Y modules per power supply	37	75	125	187	225
Number of chains (maximum 30 modules per chain)	1W/1RGBY	1 W/2RGBY	2 W/3 RGBY	4 W/6 RGBY	6 W/7 RGBY

## PACKAGING

Item	Qty (pcs/bag)	Qty (bag / carton)	Total Qty (pcs / carton)	Total weight (kg)	Carton size (LxWxH) in mm
VR30	50	24	1200	11.9	528 x 376 x 272