

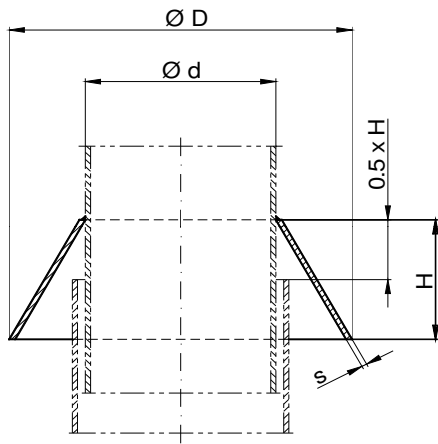
Dakdoorvoer
voor vlak en hellend dak

roof passages
for a flat or pitched roof

| PVC, PVC-C, PPs, PP, PE, PPs-el, PVDF | | | | | | | |
|---------------------------------------|-----|-----|-----|-----|--|--|--|
| d | D1 | D2 | axa | s | | | |
| 0075 | 75 | 63 | 400 | 4,0 | | | |
| 0110 | 110 | 90 | 400 | 4,0 | | | |
| 0125 | 125 | 110 | 400 | 4,0 | | | |
| 0140 | 140 | 125 | 450 | 4,0 | | | |
| 0160 | 160 | 140 | 450 | 4,0 | | | |
| 0180 | 180 | 160 | 500 | 4,0 | | | |
| 0200 | 200 | 180 | 500 | 4,0 | | | |
| 0225 | 225 | 200 | 550 | 4,0 | | | |
| 0250 | 250 | 225 | 550 | 4,0 | | | |
| 0280 | 280 | 250 | 600 | 6,0 | | | |
| 0315 | 315 | 280 | 650 | 6,0 | | | |
| 0355 | 355 | 315 | 700 | 6,0 | | | |
| 0400 | 400 | 355 | 750 | 6,0 | | | |
| 0450 | 450 | 400 | 800 | 8,0 | | | |

Bij bestelling hellingshoek opgeven.
Bij bestelings als aanvoerbuis de diameter opgeven.

Lengte L in overleg m.b.t. dakdikte
Voor platte daken op aanvraag mogelijk



Regenkragen

umbrella

| PVC, PVC-C, PPs, PP, PE, PPs-el, PVDF | | | | | | | |
|---------------------------------------|-----|-----|-----|------|--|--|--|
| d | D | H | s | kg | | | |
| 0075 | 130 | 75 | 3,0 | 0,15 | | | |
| 0110 | 195 | 75 | 3,0 | 0,2 | | | |
| 0125 | 210 | 75 | 3,0 | 0,2 | | | |
| 0140 | 225 | 75 | 3,0 | 0,2 | | | |
| 0160 | 245 | 75 | 3,0 | 0,3 | | | |
| 0180 | 265 | 75 | 3,0 | 0,3 | | | |
| 0200 | 285 | 75 | 3,0 | 0,2 | | | |
| 0225 | 330 | 90 | 3,0 | 0,3 | | | |
| 0250 | 355 | 90 | 3,0 | 0,4 | | | |
| 0280 | 385 | 90 | 3,0 | 0,4 | | | |
| 0315 | 420 | 90 | 3,0 | 0,7 | | | |
| 0355 | 460 | 90 | 3,0 | 0,7 | | | |
| 0400 | 505 | 90 | 3,0 | 0,8 | | | |
| 0450 | 575 | 110 | 3,0 | 1,0 | | | |
| 0500 | 640 | 110 | 5,0 | 2,1 | | | |
| 0600 | 740 | 110 | 5,0 | 2,6 | | | |
| 0630 | 770 | 110 | 5,0 | 2,9 | | | |