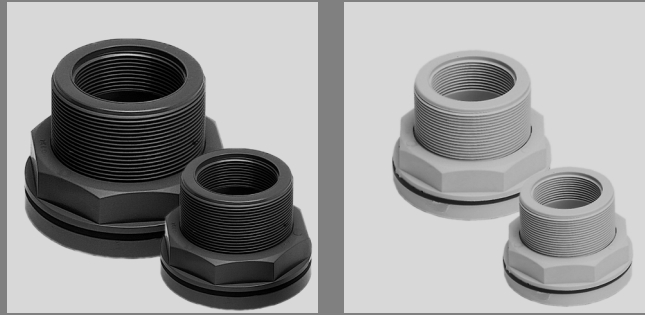


## Tank adaptor



### Advantage

- versatile connection possibilities

### Application

- chemical plants
- industrial plants
- water treatment

### Intended Use

- 

### Flow Media

- 

### Fluid Temperature

- see pressure-/temperature diagram

### Operating Pressure

- see pressure-/temperature diagram

### Nominal Pressure (H<sub>2</sub>O, 20°C)

- PN 2

### Body

- PVC-U
- PP

### Sealing

- FPM
- EPDM

### Connection

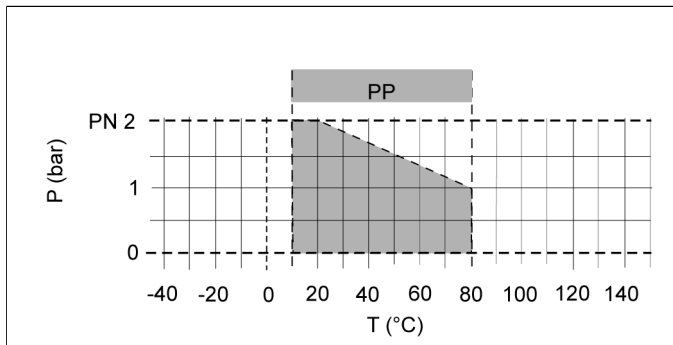
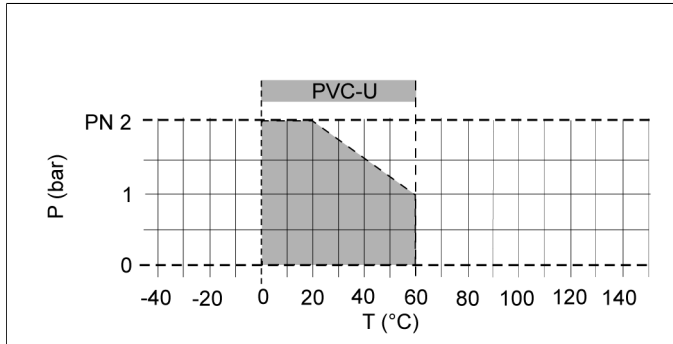
- Female thread acc. DIN ISO 228-1
- Male thread acc. DIN ISO 228-1
- Socket end for solvent welding acc. DIN ISO (PVC-U)
- Spigot end for fusion welding acc. DIN ISO (PP)

### Colour

- body: PVC-U, grey, RAL 7011
- body: PP, grey, RAL 7032

## Connecting parts, Tank adaptor

### Pressure/temperature diagram



*P = operating pressure*

*T = temperature*

The pressure/temperature limits are applicable for the stated nominal pressures and a computed operating life factor of 25 years. These are standard values for harmless media (DIN 2403), to which the valve material is resistant.

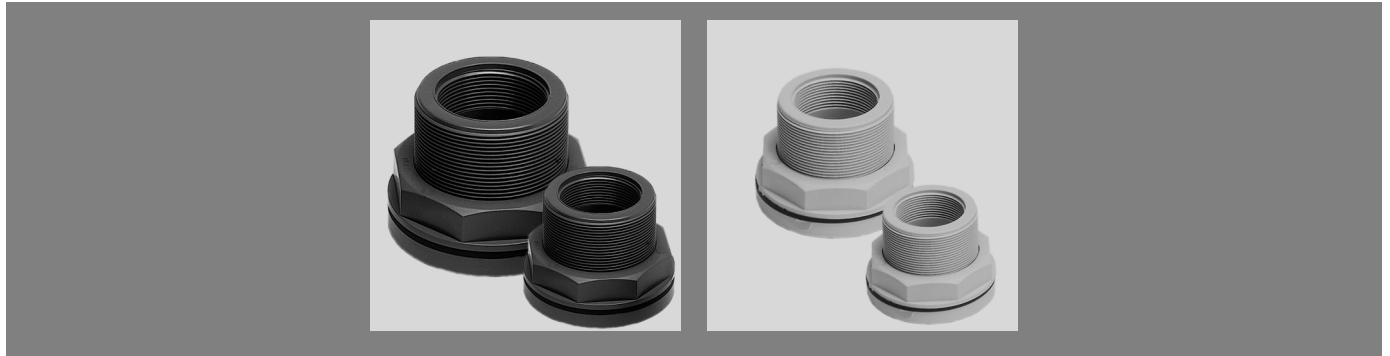
For other media please refer to the ASV resistance guide.

The durability of wear parts depends on the operating conditions of the application.

For temperatures below 0°C (PP < +10°C) please specify the precise operating conditions of the application.

The rated pressure depends on the valve size and material. For the corresponding rated pressure value of the valve, please refer to the »Order table«.

## Connecting parts, Tank adaptor



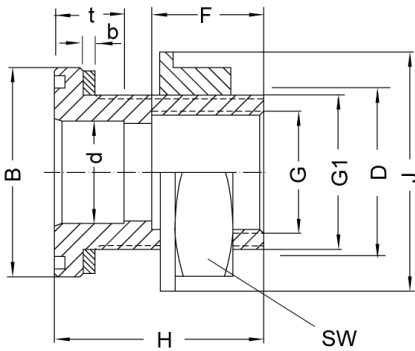
### body PVC-U

<i>size</i>	d(mm)		16	20	20	25	40	63
	<i>pressure range</i>	PN(bar)	2	2	2	2	2	2
	G(inch)		3/8	1/2	3/4	1	1 1/2	2
<i>Connection</i>	<i>sealing</i>	<i>ident No.</i>						
	PVC-U	EPDM	141754	141755	141756	141757	141758	141759
socket end DIN ISO	FPM		52342	52343	52344	52345	52346	52347

### body PP

<i>size</i>	d(mm)		16	20	25	32	40	63
	<i>pressure range</i>	PN(bar)	2	2	2	2	2	2
	G(inch)		3/8	1/2	3/4	1	1 1/2	2
<i>Connection</i>	<i>sealing</i>	<i>ident No.</i>						
	PP	EPDM	141760	141761	141762	141763	141764	141765
socket end DIN ISO	FPM		120034	120035	120036	120037	120038	120039

## Connecting parts, Tank adaptor



### dimensions

d(mm)	16	20	20	25	25	32	40	63	
G(inch)	3/8	1/2	3/4	1	3/4	1	1 1/2	2	
dimensions(mm)									
B	36	50	50	60	50	60	80	110	
F	13	17	18	21	18	21	23	27	
G	3/8	1/2	3/4	1	3/4	1	1 1/2	2	
G1	3/4	1	1	1 1/4	1	1 1/4	2	2 3/4	
H	40	45	45	60	45	60	74	80	
J	36	50	50	60	50	60	93	110	
SW	32	41	41	55	41	55	80	100	
PP	t	13	14.5	-	-	16	18	27.5	31
PVC-U	t	14	16	16	19	-	-	25	37.5