

STRAINER SF 305

Nominal size DN 15–100

Nominal size 1/2"–4"

Nominal pressure PN 4–10 bar

Features

- Simple and quick cleaning of the filter insert
- PVC version transparent
- Standard mesh size 0.5 mm
- Mesh material up to DN 50 FEP / from DN65 same as housing material

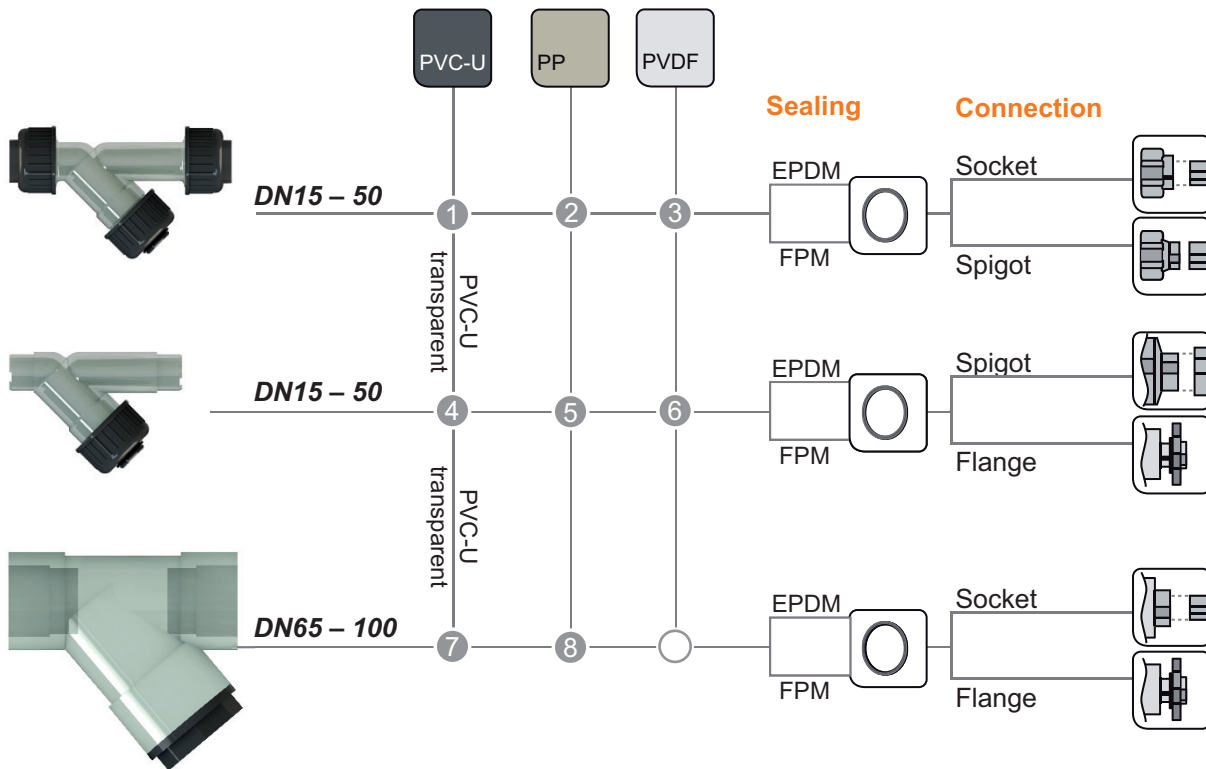
Additional options on request

- silicone free

www.asv-stuebbe.com/produkte/armaturen



Pictogram Strainer SF 305



Mesh sizes, strainers = 0.5 mm



Exception PP DN65–100
Mesh size = 0.8 mm

● available
○ not available

Basic Nominal Sizes:

DN 8	DN 10	DN 15	DN 20	DN 25	DN 32	DN 40	DN 50	DN 65	DN 80	DN 100	DN 125	DN 150	DN 200	DN 250	DN 300	DN 350	DN 400
------	-------	-------	-------	-------	-------	-------	-------	-------	-------	--------	--------	--------	--------	--------	--------	--------	--------

Connection Material (process connection)

<p>1 PVC-U socket DIN, ANSI, BS, JIS female thread Rp 1.4571 female thread Rp male thread R PE100 spigot</p> <p>2 PP socket DIN spigot (IR) female thread Rp</p> <p>3 PVDF socket DIN spigot (IR)</p> <p>4 PVC-U spigot fix PP/St. flange DIN, ANSI GFK flange DIN</p>	<p>5 PP spigot fix* PP/St. flange DIN, ANSI GFK flange DIN</p> <p>6 PVDF spigot fix* PP/St. flange DIN, ANSI</p> <p>7 PVC-U socket DIN fix PP/St. flange DIN, ANSI GFK flange DIN</p> <p>8 PP socket DIN fix PP/St. flange DIN, ANSI GFK flange DIN</p> <p>* Socket welding spigot</p>
---	---

Strainer SF 305

Use

- chemical plant engineering
- industrial plant engineering
- water treatment

Application

- for removal of contaminants in technical processing plants

Flow medium

- Neutral and aggressive fluid or gaseous medium types, provided that the valve components coming into contact with the medium are resistant at the operating temperature in accordance with the ASV resistance guide.

Flow direction

- Always in the direction of the arrow

ASV resistance guide

- www.asv-stuebbe.de/pdf_resistance/300051.pdf

Nominal pressure (H₂O, 20 °C)

- PN 4–10 bar

Medium temperature

- See graphics „Pressure/temperature diagram“

Operating pressure

- See graphics „Pressure/temperature diagram“

Size

- DN 15–100

Components coming into contact with the medium

- PVC-U, PP, PVDF

Material SF	Material strainer	Mesh size (mm)
PVC-U	DN 15–50 = FEP	0.5
	DN 65–100 = PVC-U	0.5
PP	DN 15–50 = FEP	0.5
	DN 65–100 = PP	0.8
PVDF	DN 15–50 = FEP	0.5
others on request		

Sealing element

- FPM
- EPDM

Mounting position

- Filter cartridge downwards

Color

- Housing: transparent PVC, gray-blue
- Housing: PP, gray, RAL 7032
- Housing: PVDF, opaque, yellowish-white

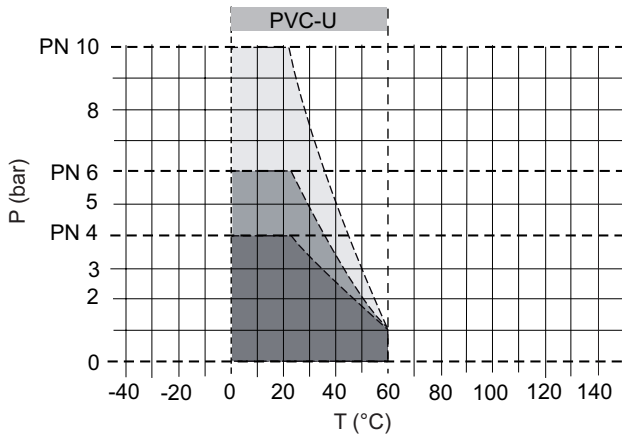
Device connection

- see pictograph „Strainer SF 305“

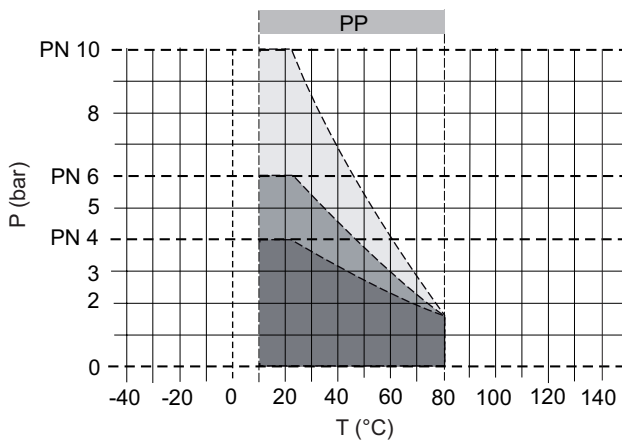
Note

- ASV valve elements of the design „fixed nozzle“ should not be installed by butt-welding. This applies to both heating elements and IR butt welding processes.

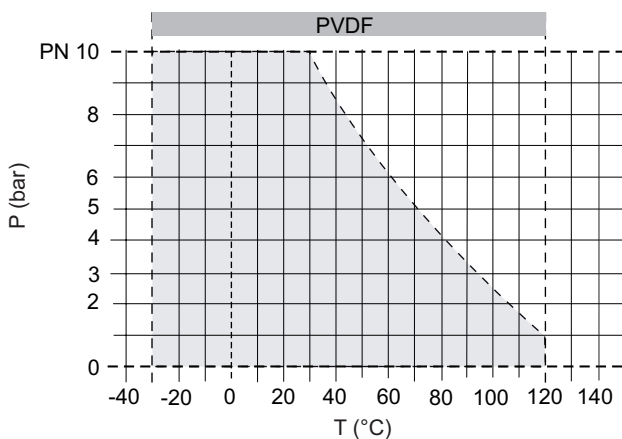
Pressure/temperature diagram



d (mm)	20	25	32	40	50	63	75	90	110
DN (mm)	15	20	25	32	40	50	65	80	100
PVC-Transparent PN (bar)	10	10	10	10	10	10	6	4	4



d (mm)	20	25	32	40	50	63	75	90	110
DN (mm)	15	20	25	32	40	50	65	80	100
PP PN (bar)	10	10	10	10	10	10	6	4	4



d (mm)	20	25	32	40	50	63	75	90	110
DN (mm)	15	20	25	32	40	50	65	80	100
PVDF PN (bar)	10	10	10	10	10	10	-	-	-

Description	
P	Operating pressure
T	Temperature

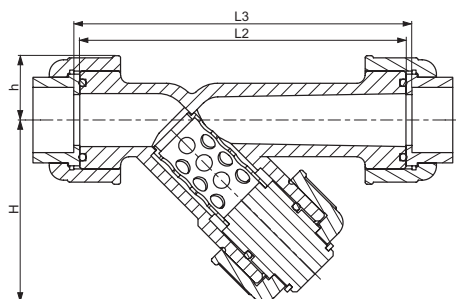
The pressure/temperature limits of the materials are valid for the stated nominal pressures and a service life of 25 years.

These values are guide values for flow medium types which do not negatively impact the physical and chemical characteristics of the valve material. It may be necessary to take diminution factors into consideration.

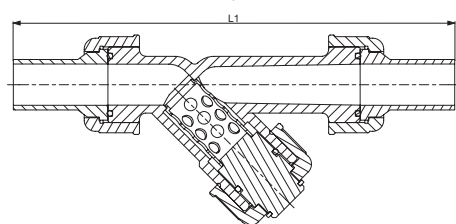
The operating life of the wear parts depends on the conditions of use.

Strainer SF 305

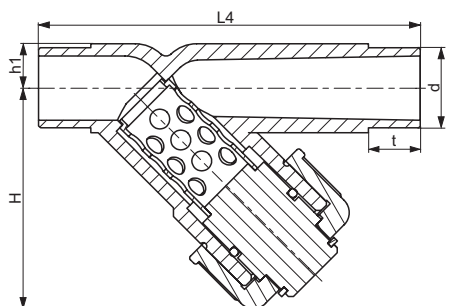
Connection socket



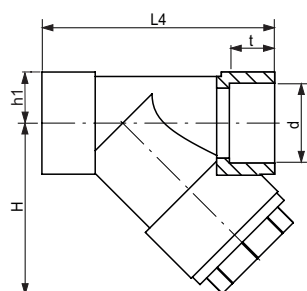
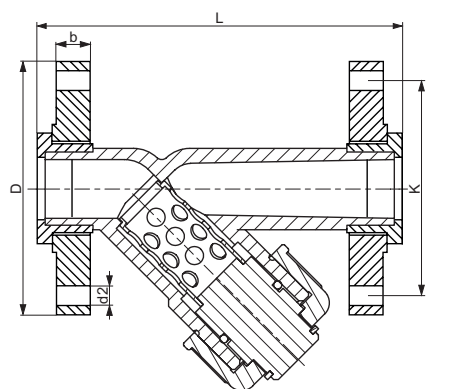
Connection socket/spigot end



Connection spigot end



Connection flange



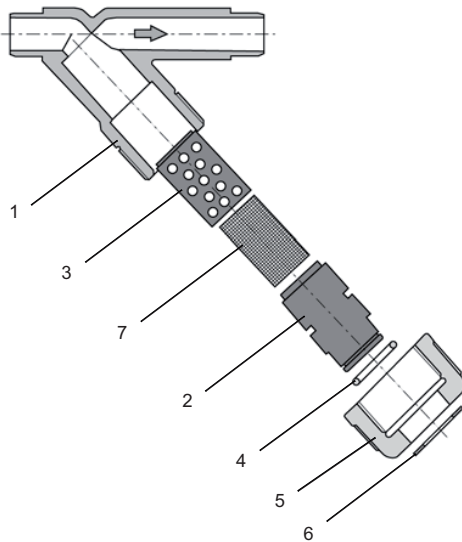
d (mm)		20	25	32	40	50	63	75	90	110	
DN (mm)		15	20	25	32	40	50	65	80	100	
DN (inch)		1/2	3/4	1	1 1/4	1 1/2	2	2 1/2	3	4	
	Valve body										
	Insert/flange										
b	GFK flange DIN	12.2	14	15	17	17	18	18	20	20	
	PP-st. flange DIN	13	14.5	15.5	17.5	17.5	19	19	21	22	
	PP-st. flange ANSI	12	12	16	16	18	18	18.5	18	18	
d2	GFK flange DIN	14	14	14	18	18	18	18	18	18	
	PP-st. flange DIN	14	14	14	18	18	18	18	18	18	
	PP-st. flange ANSI	16	16	16	16	16	20	19	20	20	
D	GFK flange DIN	96.5	106	115	142	152	168	185	200	220	
	PP-st. flange DIN	96	106	116	141	151	166	186	201	221	
	PP-st. flange ANSI	95	105	113	130	133	160	180	190	229	
h		21	24	34	43	43	51	-	-	-	
h1		12.65	15	18	22	27	33.5	52	57.5	69.5	
H	PVC-U	75	80	90	110	128	150	179	192	231	
	PP	75	80	90	110	128	150	176	193	-	
	PVDF	75	80	90	110	128	150	-	-	-	
K	GFK flange DIN	65	75	85	100	110	125	145	160	180	
	PP-st. flange DIN	65	75	85	100	110	125	140	152	190.5	
	PP-st. flange ANSI	60	70	80	89	98	121	145	160	180	
L		146	162	172	194	215	248	350	400	465	
L1	PVC-U	PE100 spigot end DIN	320	340	350	380	428	478	-	-	-
		1.4571 male thread R	198	222	240	272	296	340	-	-	-
	PP	PP spigot end	238	264	280	306	333	368	-	-	-
	PVDF	PVDF spigot end	234	261	277	302	327	362	-	-	-
L2	PVC-U/PP	130	150	160	180	200	230	-	-	-	
	PVDF	129	149	159	178	197	226	-	-	-	
L3	PVC-U	PVC-U socket DIN	136	156	166	186	206	236	-	-	-
		PVC socket ANSI	136	156	166	186	206	236	-	-	-
		PVC socket BS	136	156	166	186	206	236	-	-	-
		PVC socket JIS	138	160	169	186	206	238	-	-	-
		PVC-U female thread Rp	138	158	173	196	226	261	-	-	-
		1.4571 female thread Rp	140	161	174	196	218	248	-	-	-
	PP	PP socket DIN	136	156	166	186	206	236	-	-	-
		PP female thread Rp	136	156	166	186	208	240	-	-	-
	PVDF	PVDF socket DIN	134	155	165	184	203	232	-	-	-
	L4	PVC-U	124	144	154	174	194	224	243	262	325
PP		124	144	154	174	194	224	241	260	323	
PVDF		124	144	154	174	194	224	-	-	-	
Rp*		1/2	3/4	1	1 1/4	1 1/2	2	-	-	-	
t	PVC-U	16	19	22	26	31	38	44	51	61	
	PP	14.5	16	18	20.5	23.5	27.5	31	35.5	41.5	
	PVDF	14.5	16	18	20.5	23.5	27.5	-	-	-	

all dimensions in mm / * dimensions in inch

Strainer SF 305

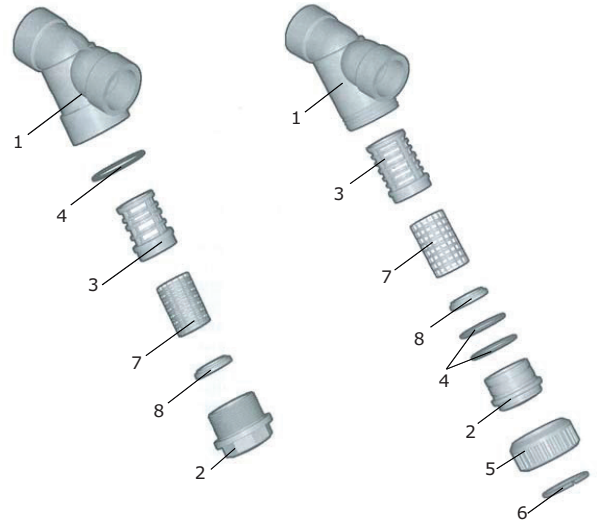
Components

DN 15-50



Position	Quantity	Designation
1	1	Housing
2	1	Plug
3	1	Strainer holder
4	1	O-ring
5	1	Union nut
6	1	Circlip
7	1	Strainer

DN 65-80, DN 100



Position	Quantity	Designation
1	1	Housing
2	1	Plug
3	1	Strainer holder
4	1	O-ring
5	1	Union nut
6	1	Circlip
7	1	Strainer
8	1	Locking ring