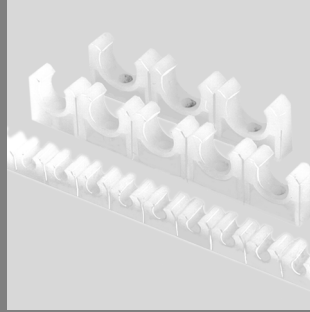


## Pipe clips [d6 - d28]



### Advantage

- for operationally reliable pipe installation
- sturdy PE clip body
- high-quality material
- efficient, simple installation

### Application

- in plant and equipment construction

### Intended Use

- for fixing plastic and metal pipes, as well as plastic coated copper pipes, hoses and cables of all types

### Clamp Body

- PE

### Operating Conditions

- For neutral and aggressive ambient influences, provided that the selected materials are resistant at the operating and ambient temperature according to the ASV resistance guide.

### Ambient Temperature

- -20°C ... +50°C

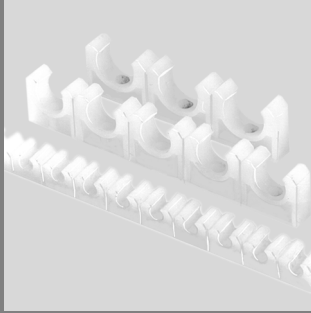
### Packaging Unit

- PU = packaging unit = 100 pieces (d 6 - d 12)
- PU = packaging unit = 50 pieces (d 15 - d 28)

### Colour

- PE: natural

## Fastening technology, Pipe clips [d6 - d28]



### body PE

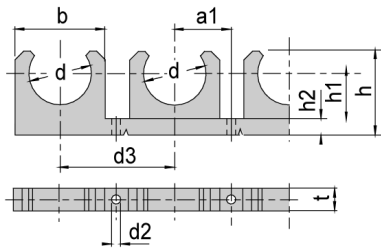
size pressure range	d(mm)	6	8	10	12	15	18	22
Connection	sealing	ident No.						
general general	-	52286	52287	52288	52289	52290	52292	52294

### body PE

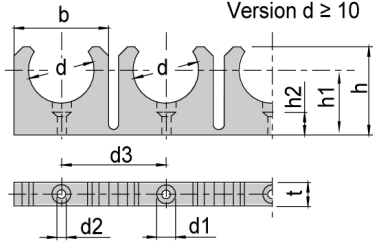
size pressure range	d(mm)								28
Connection	sealing	ident No.							
general general	-								52297

## Fastening technology, Pipe clips [d6 - d28]

Version d = 6 + 8



Version d ≥ 10



### dimensions

d(mm)	6	8	10	12	15	18	22	28
dimensions(mm)								
a1	10	12	0	0	0	0	0	0
b	12	16	20	24	27	31	36	44
d1	0	0	7	7	8.5	8.5	8.5	8.5
d2	4	4	4	4	4.3	4.3	4.3	4.3
d3	21	25	22	26	29	33	38	46
h	14	16	20	21	34	35.5	37	39
h1	10	10	14	14	26	26	26	26
h2	4	4	5	5	5	5	5	5
t	15	15	15	15	15	15	15	15



## Pipe clips [d16 - d32]



### Advantage

- sturdy, highly elastic clip body
- more than 240° pipe surround
- large dimensioned fastening
- high-quality materials
- resistant to atmospheric corrosion and UV stabilised
- either PP or HDPE

### Application

- in plant and equipment construction

### Intended Use

- for fastening plastic and metal pipes as well as hoses, cables etc.

### Operating Conditions

- For neutral and aggressive ambient influences, provided that the selected materials are resistant at the operating and ambient temperature according to the ASV resistance guide.

### Ambient Temperature

- PP: +10°C up to +60°C
- HDPE: -10°C up to +50°C

### Size

- DN 10 - DN 25

### Clamp Body

- PP
- HDPE

### Packaging Unit

- PU = packaging unit = 20 pieces

### Colour

- PP: grey, RAL 7032
- HDPE: black, RAL 9011

## Fastening technology, Pipe clips [d16 - d32]



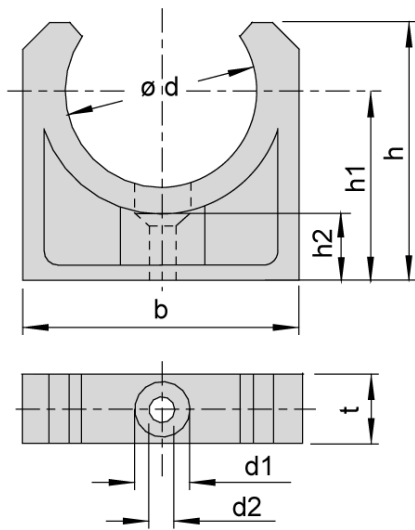
### body general

size	d(mm)		16	20	25	32
pressure range	DN(mm)		10	15	20	25
Connection	sealing	ident No.				
general	-		52291	52293	52295	52298
general						

### body PP

size	d(mm)		16	20	25	32
pressure range	DN(mm)		10	15	20	25
Connection	sealing	ident No.				
general	-		42910	42911	42912	42913
general						

## Fastening technology, Pipe clips [d16 - d32]



### dimensions

d(mm)	16	20	25	32
DN(mm)	10	15	20	25
dimensions(mm)				
b	32	32	41	49
d1	10	10	11	11
d2	5	5	5.5	5.5
h	32	34	35	44
h1	24	25	26	30
h2	11	11	12	11
t	16	16	17	16

## Fastening technology, Pipe clips [d16 - d32]