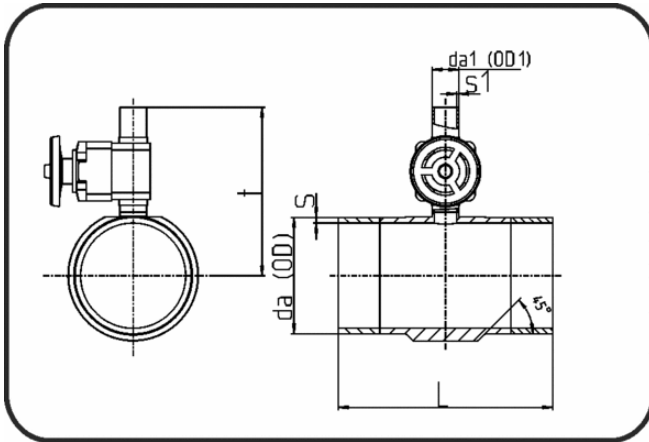


Valves



Code: 240

- T-Diaphragm Valve
- manually controlled
- EPDM/PTFE diaphragm
- machined
- **Butt + IR-welding**
- **PP Pure grey**

Dimension	Code	Detail	da(OD) mm	da(OD1) mm	s mm	L mm	s1 mm	t mm	Weight
40/40	72.240.4040.11	40/40 - SDR11 MOP 10 bar	40	40	3,7	185	3,7	181	1.58
50/25	72.240.5025.11	50/25 - SDR11 MOP 10 bar	50	25	4,6	185	2,3	146	0.65
50/40	72.240.5040.11	50/40 - SDR11 MOP 10 bar	50	40	4,6	210	3,7	185	1.75
50/50	72.240.5050.11	50/50 - SDR11 MOP 10 bar	50	50	4,6	210	4,6	185	1.85
63/20	72.240.6320.11	63/20 - SDR11 MOP 10 bar	63	20	5,8	185	1,9	141	0.71
63/25	72.240.6325.11	63/25 - SDR11 MOP 10 bar	63	25	5,8	185	2,3	153	0.73
63/40	72.240.6340.11	63/40 - SDR11 MOP 10 bar	63	40	5,8	210	3,7	195	1.93
63/50	72.240.6350.11	63/50 - SDR11 MOP 10 bar	63	50	5,8	210	4,6	195	2.05
63/63	72.240.6363.11	63/63 - SDR11 MOP 10 bar	63	63	5,8	210	5,8	226	2.78
75/20	72.240.7520.11	75/20 - SDR11 MOP 10 bar	75	20	6,8	210	1,9	147	0.86
75/25	72.240.7525.11	75/25 - SDR11 MOP 10 bar	75	25	6,8	210	2,3	159	0.86
75/32	72.240.7532.11	75/32 - SDR11 MOP 10 bar	75	32	6,8	210	2,9	169	1.05
75/40	72.240.7540.11	75/40 - SDR11 MOP 10 bar	75	40	6,8	210	3,7	198	1.60
75/50	72.240.7550.11	75/50 - SDR11 MOP 10 bar	75	50	6,8	210	4,6	198	2.04
75/63	72.240.7563.11	75/63 - SDR11 MOP 10 bar	75	63	6,8	210	5,8	229	2.79
90/20	72.240.9020.11	90/20 - SDR11 MOP 10 bar	90	20	8,2	210	1,9	155	1.01
90/25	72.240.9025.11	90/25 - SDR11 MOP 10 bar	90	25	8,2	210	2,3	167	1.03
90/32	72.240.9032.11	90/32 - SDR11 MOP 10 bar	90	32	8,2	210	2,9	179	1.21
90/40	72.240.9040.11	90/40 - SDR11 MOP 10 bar	90	40	8,2	210	3,7	206	2.20
90/50	72.240.9050.11	90/50 - SDR11 MOP 10 bar	90	50	8,2	210	4,6	206	2.18
90/63	72.240.9063.11	90/63 - SDR11 MOP 10 bar	90	63	8,2	210	5,8	237	2.98
110/20	72.240.1120.11	110/20 - SDR11 MOP 10 bar	110	20	10	210	1,9	167	1.31
110/25	72.240.1125.11	110/25 - SDR11 MOP 10 bar	110	25	10	210	2,3	179	1.27
110/32	72.240.1132.11	110/32 - SDR11 MOP 10 bar	110	32	10	210	2,9	191	1.53
110/40	72.240.1140.11	110/40 - SDR11 MOP 10 bar	110	40	10	210	3,7	218	2.45
110/50	72.240.1150.11	110/50 - SDR11 MOP 10 bar	110	50	10	210	4,6	218	2.47
110/63	72.240.1163.11	110/63 - SDR11 MOP 10 bar	110	63	10	210	5,8	249	3.18
110/75	72.240.1175.11	110/75 - SDR11 MOP 10 bar	110	75	10	330	6,8	324	6.98

Dimension	Code	Detail	da(OD) mm	da(OD1) mm	s mm	L mm	s1 mm	t mm	Weight
110/90	72.240.1190.11	110/90 - SDR11 MOP 10 bar	110	90	10	330	8,2	335	6.87
140/40	72.240.1440.11	140/40 - SDR11 MOP 10 bar	140	40	12,7	210	3,7	230	2.43
160/32	72.240.1632.11	160/32 - SDR11 MOP 10 bar	160	32	14,6	210	2,9	211,5	2.24