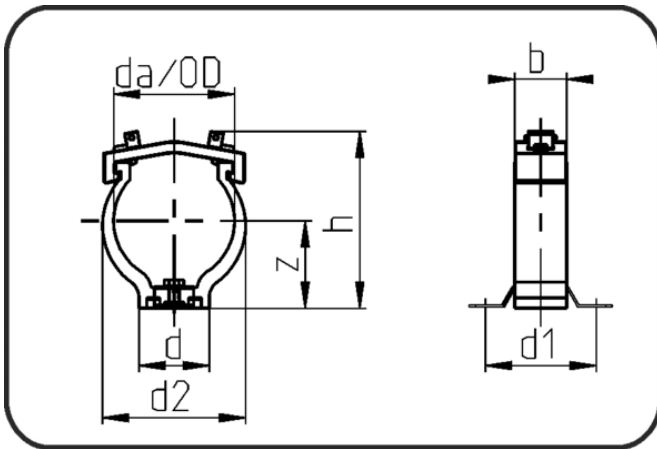


## Backing Rings, Accessories



Code: 049

- Pipe Clip
- injection moulded
- Installation Accessory
- PP-FRP black

Dimension	Code	Detail	da(OD) mm	z mm	d1 mm	d2 mm	h mm	b mm	Weight
63	14.049.0063.00	63	63	52	74	78	102,8	30	0.124
75	14.049.0075.00	75	75	61	82	94	121,9	40	0.19
90	14.049.0090.00	90	90	67	82	108	134,2	40	0.162
110	14.049.0110.00	110	110	80	82	137	154,1	40	0.233
125	14.049.0125.00	125	125	93	110	155	178,5	60	0.422
140	14.049.0140.00	140	140	108	110	164	203,3	60	0.607
160	14.049.0160.00	160	160	116	110	184	219,7	60	0.561
180	14.049.0180.00	180	180	136	110	211	249,5	60	0.99
200	14.049.0200.00	200	200	148	110	238	266,5	60	1.169
225	14.049.0225.00	225	225	158	110	261	292	60	1.045