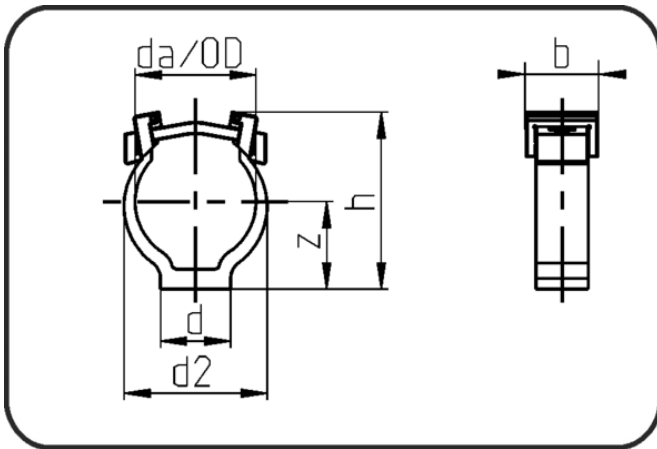


Backing Rings, Accessories



Code: 049.03

- Pipe Clip with cramp
- w.o. steel bracket and screw
- injection moulded
- Installation Accessory
- PP-FRP black

Dimension	Code	Detail	da(OD) mm	z mm	d mm	h mm	b mm	Weight
63	14.049.0063.03	63	63	52	53	102,8	42,5	0.079
75	14.049.0075.03	75	75	61	55	121,9	55	0.15
90	14.049.0090.03	90	90	67	57	134,2	55	0.18
110	14.049.0110.03	110	110	80	71	154,1	55	0.243
125	14.049.0125.03	125	125	93	91	178,5	75	0.455
140	14.049.0140.03	140	140	108	110	203,3	75	0.476
160	14.049.0160.03	160	160	116	120	219,7	75	0.558
180	14.049.0180.03	180	180	136	137	249,5	75	0.825
200	14.049.0200.03	200	200	148	145	266,5	75	0.935
225	14.049.0225.03	225	225	158	167	292	75	1.075