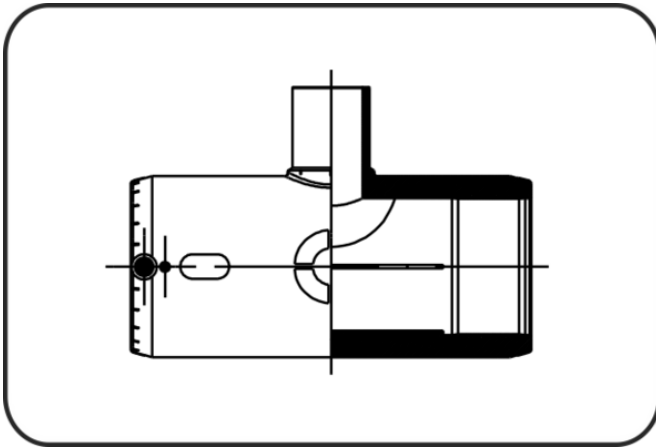


Electro Fusion Fittings



Code: 175

- E-Tee reduced
- MOP water 16bar/gas 10bar
- injection moulded
- Electro-fusion
- PE 100-RC black

Dimension	Code	Detail	Unit	Weight
75/63	70.175.7563.11	75/63 SDR 17-11	piece	0.605
90/50	70.175.9050.11	90/50 SDR 17-11	piece	1.546
90/63	70.175.9063.11	90/63 SDR 17-11	piece	1.575
110/63	70.175.1163.11	110/63 SDR 17-11	piece	2.388
110/90	70.175.1190.11	110/90 SDR 17-11	piece	2.6
125/63	70.175.1263.11	125/63 SDR 17-11	piece	3.343
125/90	70.175.1290.11	125/90 SDR 17-11	piece	3.466
125/110	70.175.1211.11	125/110 SDR 17-11	piece	3.583
160/63	70.175.1663.11	160/63 SDR 17-11	piece	5.5
160/90	70.175.1690.11	160/90 SDR 17-11	piece	5.611
160/110	70.175.1611.11	160/110 SDR 17-11	piece	5.714
160/125	70.175.1612.11	160/125 SDR 17-11	piece	5.838