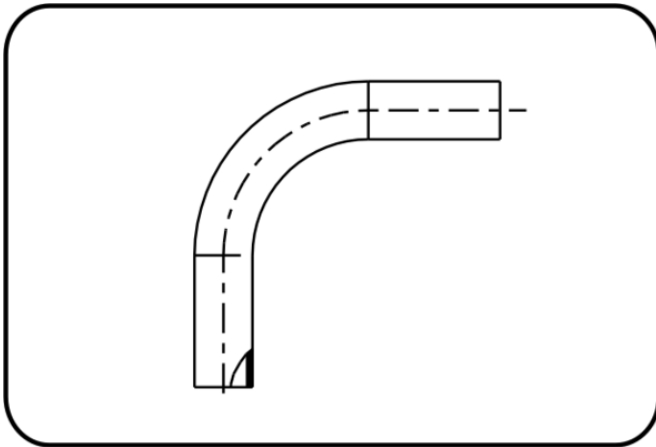


Sweep Bends



Code: 399

- Sweep Bend 90°
- radius 1.5 x OD
- formed out of pipe
- Butt + E-socket-welding
- PE 100-RC black

Dimension	Code	Detail	Unit	Weight
90	70.399.0090.11	90 SDR11 ISO S-5 16 bar	piece	1.42
110	70.399.0110.11	110 SDR11 ISO S-5 16 bar	piece	2.7
125	70.399.0125.11	125 SDR11 ISO S-5 16 bar	piece	3.06
140	70.399.0140.11	140 SDR11 ISO S-5 16 bar	piece	4.755
160	70.399.0160.11	160 SDR11 ISO S-5 16 bar	piece	6.62
180	70.399.0180.11	180 SDR11 ISO S-5 16 bar	piece	9.085
200	70.399.0200.11	200 SDR11 ISO S-5 16 bar	piece	12.22
225	70.399.0225.11	225 SDR11 ISO S-5 16 bar	piece	16.56
250	70.399.0250.11	250 SDR11 ISO S-5 16 bar	piece	22
280	70.399.0280.11	280 SDR11 ISO S-5 16 bar	piece	28.7
315	70.399.0315.11	315 SDR11 ISO S-5 16 bar	piece	32.51
355	70.399.0355.11	355 SDR11 ISO S-5 16 bar	piece	46
400	70.399.0400.11	400 SDR11 ISO S-5 16 bar	piece	78.6
450	70.399.0450.11	450 SDR11 ISO S-5 16 bar	piece	111.2
500	70.399.0500.11	500 SDR11 ISO S-5 16 bar	piece	152.6
560	70.399.0560.11	560 SDR11 ISO S-5 16 bar	piece	190
630	70.399.0630.11	630 SDR11 ISO S-5 16 bar	piece	295.2