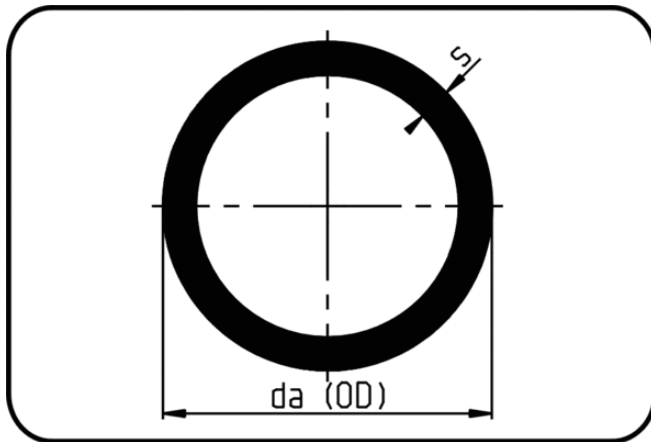


## Pipes



Code: 705

- Pipe 5m
- extruded
- PE 100-RC black

From dim. 800 availability and minimum order quantity on request. SDR 7.4 from dim. 250 not available from stock.

Dimension	Code	Detail	da(OD) mm	s mm	Weight
400	70.705.0400.00	400X8,0 Ventilation	400	8	10.04
450	70.705.0450.00	450X8,0 Ventilation	450	8	11.30
500	70.705.0500.00	500X8,0 Ventilation	500	8	12.60
560	70.705.0560.00	560X10,0 Ventilation	560	10	17.60
630	70.705.0630.00	630X10,0 Ventilation	630	10	19.80
710	70.705.0710.00	710X12,0 Ventilation	710	12	26.70
800	70.705.0800.00	800X12,0 Ventilation	800	12	30.20
900	70.705.0900.00	900X15,0 Ventilation	900	15	42.30
1000	70.705.1000.00	1000X15,0 Ventilation	1.000	15	47.00
1200	70.705.1200.00	1200X18,0 Ventilation	1.200	18	67.70
1400	70.705.1400.00	1400X20,0 Ventilation	1.400	20	87.70
110	70.705.0110.41	110X2,7 SDR41 ISO S-20	110	2,7	0.95
125	70.705.0125.41	125X3,1 SDR41 ISO S-20	125	3,1	1.23
140	70.705.0140.41	140X3,5 SDR41 ISO S-20	140	3,5	1.56
160	70.705.0160.41	160X4,0 SDR41 ISO S-20	160	4	2.02
180	70.705.0180.41	180X4,4 SDR41 ISO S-20	180	4,4	2.48
200	70.705.0200.41	200X4,9 SDR41 ISO S-20	200	4,9	3.08
225	70.705.0225.41	225X5,5 SDR41 ISO S-20	225	5,5	3.90
250	70.705.0250.41	250X6,2 SDR41 ISO S-20	250	6,2	4.84
280	70.705.0280.41	280X6,9 SDR41 ISO S-20	280	6,9	6.04
315	70.705.0315.41	315X7,7 SDR41 ISO S-20	315	7,7	7.59
355	70.705.0355.41	355X8,7 SDR41 ISO S-20	355	8,7	9.65
400	70.705.0400.41	400X9,8 SDR41 ISO S-20	400	9,8	12.20
450	70.705.0450.41	450X11,0 SDR41 ISO S-20	450	11	15.40
500	70.705.0500.41	500X12,3 SDR41 ISO S-20	500	12,3	19.10
560	70.705.0560.41	560X13,7 SDR41 ISO S-20	560	13,7	23.90

Dimension	Code	Detail	da(OD) mm	s mm	Weight
630	70.705.0630.41	630X15,4 SDR41 ISO S-20	630	15,4	30.10
710	70.705.0710.41	710X17,4 SDR41 ISO S-20	710	17,4	38.30
800	70.705.0800.41	800X19,6 SDR41 ISO S-20	800	19,6	48.70
900	70.705.0900.41	900X22,0 SDR41 ISO S-20	900	22	61.30
1000	70.705.1000.41	1000X24,5 SDR41 ISO S-20	1.000	24,5	75.90
1200	70.705.1200.41	1200X29,4 SDR41 ISO S-20	1.200	29,4	109.00
1400	70.705.1400.41	1400X34,3 SDR41 ISO S-20	1.400	34,3	148.00
75	70.705.0075.33	75X2,3 SDR33 ISO S-16	75	2,3	0.55
90	70.705.0090.33	90X2,8 SDR33 ISO S-16	90	2,8	0.80
110	70.705.0110.33	110X3,4 SDR33 ISO S-16	110	3,4	1.17
125	70.705.0125.33	125X3,9 SDR33 ISO S-16	125	3,9	1.53
140	70.705.0140.33	140X4,3 SDR33 ISO S-16	140	4,3	1.90
160	70.705.0160.33	160X4,9 SDR33 ISO S-16	160	4,9	2.45
180	70.705.0180.33	180X5,5 SDR33 ISO S-16	180	5,5	3.10
200	70.705.0200.33	200X6,2 SDR33 ISO S-16	200	6,2	3.85
225	70.705.0225.33	225X6,9 SDR33 ISO S-16	225	6,9	4.82
250	70.705.0250.33	250X7,7 SDR33 ISO S-16	250	7,7	5.98
280	70.705.0280.33	280X8,6 SDR33 ISO S-16	280	8,6	7.47
315	70.705.0315.33	315X9,7 SDR33 ISO S-16	315	9,7	9.47
355	70.705.0355.33	355X10,9 SDR33 ISO S-16	355	10,9	12.00
400	70.705.0400.33	400X12,3 SDR33 ISO S-16	400	12,3	15.20
450	70.705.0450.33	450X13,8 SDR33 ISO S-16	450	13,8	19.20
500	70.705.0500.33	500X15,3 SDR33 ISO S-16	500	15,3	23.60
560	70.705.0560.33	560X17,2 SDR33 ISO S-16	560	17,2	29.70
630	70.705.0630.33	630X19,3 SDR33 ISO S-16	630	19,3	37.40
710	70.705.0710.33	710X21,8 SDR33 ISO S-16	710	21,8	47.70
800	70.705.0800.33	800X24,5 SDR33 ISO S-16	800	24,5	60.40
900	70.705.0900.33	900X27,6 SDR33 ISO S-16	900	27,6	76.40
1000	70.705.1000.33	1000X30,6 SDR33 ISO S-16	1.000	30,6	94.10
1200	70.705.1200.33	1200X36,7 SDR33 ISO S-16	1.200	36,7	135.00
1400	70.705.1400.33	1400X42,9 SDR33 ISO S-16	1.400	42,9	184.00
90	70.705.0090.26	90X3,5 SDR26 ISO S-12,5	90	3,5	0.99
110	70.705.0110.26	110X4,2 SDR26 ISO S-12,5	110	4,2	1.45
125	70.705.0125.26	125X4,8 SDR26 ISO S-12,5	125	4,8	1.86
140	70.705.0140.26	140X5,4 SDR26 ISO S-12,5	140	5,4	2.35
160	70.705.0160.26	160X6,2 SDR26 ISO S-12,5	160	6,2	3.08
180	70.705.0180.26	180X6,9 SDR26 ISO S-12,5	180	6,9	3.83
200	70.705.0200.26	200X7,7 SDR26 ISO S-12,5	200	7,7	4.74
225	70.705.0225.26	225x8,6 SDR26 ISO S-12,5	225	8,6	5.96
250	70.705.0250.26	250X9,6 SDR26 ISO S-12,5	250	9,6	7.38
280	70.705.0280.26	280X10,7 SDR26 ISO S-12,5	280	10,7	9.20
315	70.705.0315.26	315x12,1 SDR26 ISO S-12,5	315	12,1	11.70
355	70.705.0355.26	355x13,6 SDR26 ISO S-12,5	355	13,6	14.80
400	70.705.0400.26	400X15,3 SDR26 ISO S-12,5	400	15,3	18.80
450	70.705.0450.26	450X17,2 SDR26 ISO S-12,5	450	17,2	23.70
500	70.705.0500.26	500X19,1 SDR26 ISO S-12,5	500	19,1	29.20

Dimension	Code	Detail	da(OD) mm	s mm	Weight
560	70.705.0560.26	560X21,4 SDR26 ISO S-12,5	560	21,4	36.60
630	70.705.0630.26	630X24,1 SDR26 ISO S-12,5	630	24,1	46.40
710	70.705.0710.26	710X27,2 SDR26 ISO S-12,5	710	27,2	59.00
800	70.705.0800.26	800X30,6 SDR26 ISO S-12,5	800	30,6	74.70
900	70.705.0900.26	900X34,4 SDR26 ISO S-12,5	900	34,4	94.40
1000	70.705.1000.26	1000X38,2 SDR26 ISO S-12,5	1.000	38,2	117.00
1200	70.705.1200.26	1200X45,9 SDR26 ISO S-12,5	1.200	45,9	168.00
1400	70.705.1400.26	1400X53,5 SDR26 ISO S-12,5	1.400	53,5	228.00
32	70.705.0032.17	32X2,0 SDR17 ISO S-8	32	2	0.20
40	70.705.0040.17	40X2,4 SDR17 ISO S-8	40	2,4	0.30
50	70.705.0050.17	50X3,0 SDR17 ISO S-8	50	3	0.46
63	70.705.0063.17	63X3,8 SDR17 ISO S-8	63	3,8	0.73
75	70.705.0075.17	75X4,5 SDR17 ISO S-8	75	4,5	1.03
90	70.705.0090.17	90X5,4 SDR17 ISO S-8	90	5,4	1.47
110	70.705.0110.17	110X6,6 SDR17 ISO S-8	110	6,6	2.19
125	70.705.0125.17	125X7,4 SDR17 ISO S-8	125	7,4	2.79
140	70.705.0140.17	140X8,3 SDR17 ISO S-8	140	8,3	3.50
160	70.705.0160.17	160X9,5 SDR17 ISO S-8	160	9,5	4.57
180	70.705.0180.17	180X10,7 SDR17 ISO S-8	180	10,7	5.77
200	70.705.0200.17	200X11,9 SDR17 ISO S-8	200	11,9	7.12
225	70.705.0225.17	225X13,4 SDR17 ISO S-8	225	13,4	9.03
250	70.705.0250.17	250X14,8 SDR17 ISO S-8	250	14,8	11.10
280	70.705.0280.17	280X16,6 SDR17 ISO S-8	280	16,6	13.90
315	70.705.0315.17	315X18,7 SDR17 ISO S-8	315	18,7	17.60
355	70.705.0355.17	355X21,1 SDR17 ISO S-8	355	21,1	22.40
400	70.705.0400.17	400X23,7 SDR17 ISO S-8	400	23,7	28.30
450	70.705.0450.17	450X26,7 SDR17 ISO S-8	450	26,7	35.80
500	70.705.0500.17	500X29,7 SDR17 ISO S-8	500	29,7	44.20
560	70.705.0560.17	560X33,2 SDR17 ISO S-8	560	33,2	55.40
630	70.705.0630.17	630X37,4 SDR17 ISO S-8	630	37,4	70.20
710	70.705.0710.17	710X42,1 SDR17 ISO S-8	710	42,1	89.00
800	70.705.0800.17	800X47,4 SDR17 ISO S-8	800	47,4	113.00
900	70.705.0900.17	900X53,3 SDR17 ISO S-8	900	53,3	143.00
1000	70.705.1000.17	1000X59,3 SDR17 ISO S-8	1.000	59,3	176.00
1200	70.705.1200.17	1200X71,1 SDR17 ISO S-8	1.200	71,1	254.00
1400	70.705.1400.17	1400X83 SDR17 ISO S-8	1.400	83	345.00
20	70.705.0020.11	20X2,0 SDR11 ISO S-5	20	2	0.12
25	70.705.0025.11	25X2,3 SDR11 ISO S-5	25	2,3	0.17
32	70.705.0032.11	32X3,0 SDR11 ISO S-5	32	3	0.28
40	70.705.0040.11	40X3,7 SDR11 ISO S-5	40	3,7	0.43
50	70.705.0050.11	50X4,6 SDR11 ISO S-5	50	4,6	0.67
63	70.705.0063.11	63X5,8 SDR11 ISO S-5	63	5,8	1.06
75	70.705.0075.11	75X6,8 SDR11 ISO S-5	75	6,8	1.48

Dimension	Code	Detail	da(OD) mm	s mm	Weight
90	70.705.0090.11	90X8,2 SDR11 ISO S-5	90	8,2	2.14
110	70.705.0110.11	110X10,0 SDR11 ISO S-5	110	10	3.18
125	70.705.0125.11	125X11,4 SDR11 ISO S-5	125	11,4	4.12
140	70.705.0140.11	140X12,7 SDR11 ISO S-5	140	12,7	5.13
160	70.705.0160.11	160X14,6 SDR11 ISO S-5	160	14,6	6.74
180	70.705.0180.11	180X16,4 SDR11 ISO S-5	180	16,4	8.51
200	70.705.0200.11	200X18,2 SDR11 ISO S-5	200	18,2	10.50
225	70.705.0225.11	225X20,5 SDR11 ISO S-5	225	20,5	13.30
250	70.705.0250.11	250X22,7 SDR11 ISO S-5	250	22,7	16.30
280	70.705.0280.11	280X25,4 SDR11 ISO S-5	280	25,4	20.50
315	70.705.0315.11	315X28,6 SDR11 ISO S-5	315	28,6	25.90
355	70.705.0355.11	355X32,2 SDR11 ISO S-5	355	32,2	32.90
400	70.705.0400.11	400X36,3 SDR11 ISO S-5	400	36,3	41.70
450	70.705.0450.11	450X40,9 SDR11 ISO S-5	450	40,9	52.80
500	70.705.0500.11	500X45,4 SDR11 ISO S-5	500	45,4	65.20
560	70.705.0560.11	560X50,8 SDR11 ISO S-5	560	50,8	81.70
630	70.705.0630.11	630X57,2 SDR11 ISO S-5	630	57,2	103.00
710	70.705.0710.11	710X64,5 SDR11 ISO S-5	710	64,5	131.00
800	70.705.0800.11	800X72,6 SDR11 ISO S-5	800	72,6	167.00
900	70.705.0900.11	900X81,7 SDR11 ISO S-5	900	81,7	211.00
1000	70.705.1000.11	1000X90,8 SDR11 ISO S-5	1.000	90,8	260.00
1200	70.705.1200.11	1200X108,9 SDR11 ISO S-5	1.200	108,9	382.00
1400	70.705.1400.11	1400X127 SDR11 ISO S-5	1.400	127	520.00
63	70.705.0063.07	63X8,6 SDR7,4 ISO S-3,2	63	8,6	1.49
75	70.705.0075.07	75X10,3 SDR7,4 ISO S-3,2	75	10,3	2.12
90	70.705.0090.07	90X12,3 SDR7,4 ISO S-3,2	90	12,3	3.03
110	70.705.0110.07	110X15,1 SDR7,4 ISO S-3,2	110	15,1	4.54
125	70.705.0125.07	125X17,1 SDR7,4 ISO S-3,2	125	17,1	5.84
160	70.705.0160.07	160X21,9 SDR7,4 ISO S-3,2	160	21,9	9.54
200	70.705.0200.07	200X27,4 SDR7,4 ISO S-3,2	200	27,4	14.91
225	70.705.0225.07	225X30,8 SDR7,4 ISO S-3,2	225	30,8	18.84
250	70.705.0250.07	250X34,2 SDR7,4 ISO S-3,2	250	34,2	23.26
280	70.705.0280.07	280X38,3 SDR7,4 ISO S-3,2	280	38,3	29.16
315	70.705.0315.07	315X43,1 SDR7,4 ISO S-3,2	315	43,1	36.91
355	70.705.0355.07	355X48,5 SDR7,4 ISO S-3,2	355	48,5	46.80
400	70.705.0400.07	400X54,7 SDR7,4 ISO S-3,2	400	54,7	59.44
450	70.705.0450.07	450X61,5 SDR7,4 ISO S-3,2	450	61,5	75.18
500	70.705.0500.07	500X68,3 SDR7,4 ISO S-3,2	500	68,3	92.78