

## BoxLED XS Plus G3

LED modules for light advertising and backlighting



### Areas of application

- Permanent outdoor use in enclosed light boxes
- Signage and illuminated advertising
- Illumination of single and double-sided light boxes
- Wallwashing, cove lighting

### Product benefits

- Uniform illumination thanks to optimized lenses embedded on module body
- Click and Play: quick and easy click-in of the LED modules, no tools needed
- Dimming capability: 1...10 V, DALI and DMX methods
- Very long lifetime: up to 50,000 h (L70/B50)
- 5 year guarantee

### Product features

- Connected with flexible cables
- Type of protection (modules): IP66/IP68
- Single bin LEDs for all CCTs
- Consistent white light: < 3 SDCM
- CE marked, ENEC certified, UL recognized component



## Product family datasheet

### Technical data

#### Electrical data

Product description	Nominal voltage	Nominal wattage per LED module	Reverse Voltage	Input voltage range	Type of current
BX-XS-PL 865 G3 <sup>1)</sup>	12.0 V	1.31 W	13 V	12...13 V	DC
BX-XS-PL 840 G3 <sup>1)</sup>	12.0 V	1.31 W	13 V	12...13 V	DC
BX-XS-PL 830 G3 <sup>1)</sup>	12.0 V	1.31 W	13 V	12...13 V	DC

<sup>1)</sup> See product remark

#### Photometrical data

Product description	Light color LED	Luminous flux per module chain	Light color (designation)	Luminous efficacy	Standard deviation of color matching
BX-XS-PL 865 G3 <sup>1)</sup>	Cool white	4320 lm	Daylight	107 lm/W	≤3 sdc
BX-XS-PL 840 G3 <sup>1)</sup>	Neutral white	4320 lm	Neutral White	107 lm/W	≤3 sdc
BX-XS-PL 830 G3 <sup>1)</sup>	Warm white	4320 lm	Warm White	107 lm/W	≤3 sdc

<sup>1)</sup> See product remark

#### Light technical data

Product description	Beam angle
BX-XS-PL 865 G3 <sup>1)</sup>	12 ° x 34 °
BX-XS-PL 840 G3 <sup>1)</sup>	12 ° x 34 °
BX-XS-PL 830 G3 <sup>1)</sup>	12 ° x 34 °

<sup>1)</sup> See product remark

#### LED module information

Product description	Number of LED modules per chain	Number of LEDs per module	Minimum operable number of LED modules
BX-XS-PL 865 G3 <sup>1)</sup>	32	3	1
BX-XS-PL 840 G3 <sup>1)</sup>	32	3	1
BX-XS-PL 830 G3 <sup>1)</sup>	32	3	1

<sup>1)</sup> See product remark

## Product family datasheet

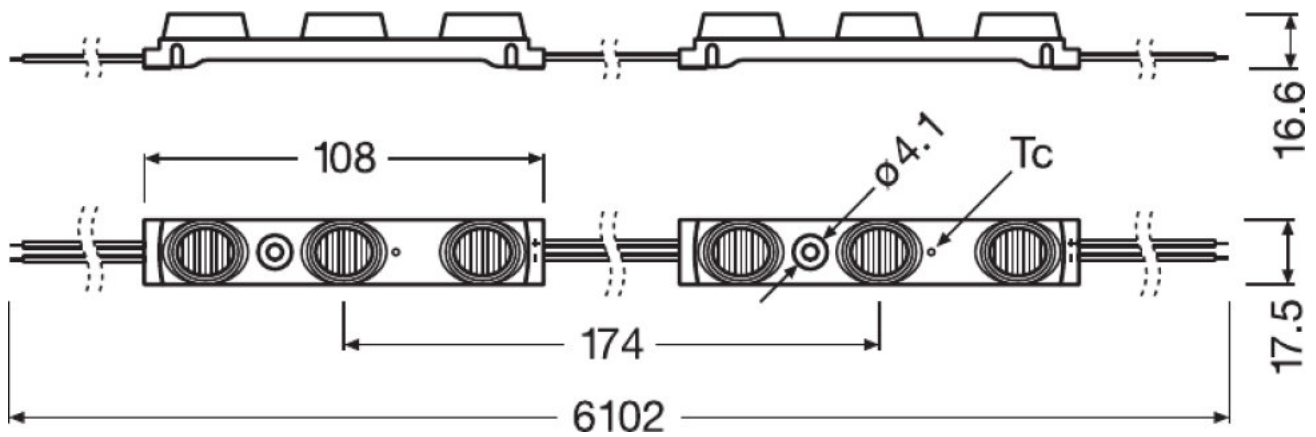
### Dimensions & weight

Product description	Product weight
BX-XS-PL 865 G3 <sup>1)</sup>	780.00 g <sup>2)</sup>
BX-XS-PL 840 G3 <sup>1)</sup>	780.00 g <sup>2)</sup>
BX-XS-PL 830 G3 <sup>1)</sup>	780.00 g <sup>2)</sup>

<sup>1)</sup> See product remark

<sup>2)</sup> Per chain

### Product line drawing



BX-XS-PL 865 G3, BX-XS-PL 840 G3, BX-XS-PL 830 G3

### Temperatures & operating conditions

Product description	Temperature range in operation at Tc point
BX-XS-PL 865 G3 <sup>1)</sup>	-25...75 °C <sup>2)</sup>
BX-XS-PL 840 G3 <sup>1)</sup>	-25...75 °C <sup>2)</sup>
BX-XS-PL 830 G3 <sup>1)</sup>	-25...75 °C <sup>2)</sup>

<sup>1)</sup> See product remark

<sup>2)</sup> At the T<sub>c</sub> point

## Product family datasheet

### Capabilities

Product description	Dimmable	Dimming range
BX-XS-PL 865 G3 <sup>1)</sup>	Yes	1...100 %
BX-XS-PL 840 G3 <sup>1)</sup>	Yes	1...100 %
BX-XS-PL 830 G3 <sup>1)</sup>	Yes	1...100 %

<sup>1)</sup> See product remark

### Certificates & standards

Product description	Energy consumption	Energy efficiency class	Type of protection
BX-XS-PL 865 G3 <sup>1)</sup>	47 kWh/1000h	A+	IP66/IP68
BX-XS-PL 840 G3 <sup>1)</sup>	47 kWh/1000h	A+	IP66/IP68
BX-XS-PL 830 G3 <sup>1)</sup>	47 kWh/1000h	A+	IP66/IP68

Product description	Standards
BX-XS-PL 865 G3 <sup>1)</sup>	Acc. to IEC 62031
BX-XS-PL 840 G3 <sup>1)</sup>	Acc. to IEC 62031
BX-XS-PL 830 G3 <sup>1)</sup>	Acc. to IEC 62031

<sup>1)</sup> See product remark

### Logistical data

Product description	Temperature range at storage
BX-XS-PL 865 G3 <sup>1)</sup>	-25...85 °C
BX-XS-PL 840 G3 <sup>1)</sup>	-25...85 °C
BX-XS-PL 830 G3 <sup>1)</sup>	-25...85 °C

<sup>1)</sup> See product remark

### Product remark

Modules perfectly matched to OSRAM OPTOTRONIC LED drivers (see relevant table)/For current photometric data and important safety, installation and application information, see [www.osram.com/led-systems](http://www.osram.com/led-systems)/All the technical parameters apply to the entire module. In view of the complex manufacturing process for light emitting diodes, the typical values given above for the technical LED parameters are merely statistical values that do not necessarily correspond to the actual technical parameters of an individual product; individual products may vary from the typical values/In development, data preliminary

### Equipment / Accessories

- Several types of OPTOTRONIC 12 V LED drivers available
- Mounting profile BA-MP

## Product family datasheet


### Application advice

For more detailed application information and graphics please see product datasheet.

### Sales and Technical Support

Sales and Technical Support [www.osram.com](http://www.osram.com)

### Download Data

File
 User instruction BoxLED XS Plus G3

### Logistical Data

Product code	Product description	Packaging unit (Pieces/Unit)	Dimensions (length x width x height)	Volume	Gross weight
4052899989696	BX-XS-PL 865 G3	Shipping carton box 5	410 mm x 307 mm x 291 mm	36.63 dm <sup>3</sup>	5689.00 g
4052899989719	BX-XS-PL 840 G3	Shipping carton box 5	410 mm x 307 mm x 291 mm	36.63 dm <sup>3</sup>	5689.00 g
4052899989733	BX-XS-PL 830 G3	Shipping carton box 5	410 mm x 307 mm x 291 mm	36.63 dm <sup>3</sup>	5689.00 g

The mentioned product code describes the smallest quantity unit which can be ordered. One shipping unit can contain one or more single products. When placing an order, for the quantity please enter single or multiples of a shipping unit.

### Accessories Optional

Product description	Accessory name	Accessory code
BX-XS-PL 865 G3	BA -MP	▶ 4052899145863
BX-XS-PL 840 G3	BA -MP	▶ 4052899145863
BX-XS-PL 830 G3	BA -MP	▶ 4052899145863

### References / Links

For more information on the multi-level guarantee and the terms and conditions of the guarantee visit

▶ [www.osram.com/system-guarantee](http://www.osram.com/system-guarantee)

### Disclaimer

## Product family datasheet

Subject to change without notice. Errors and omission excepted. Always make sure to use the most recent release.