

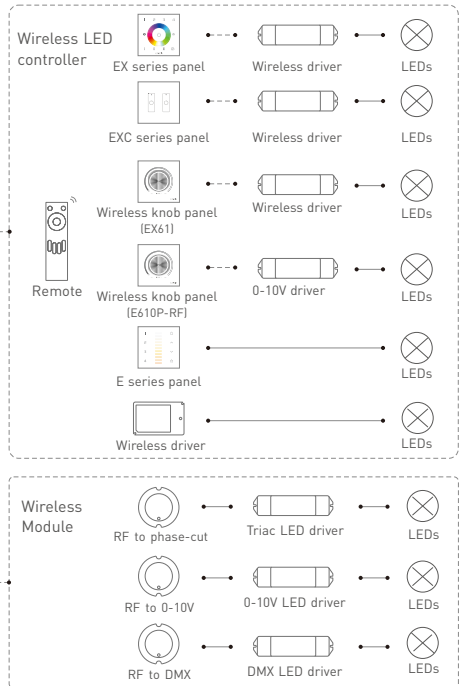
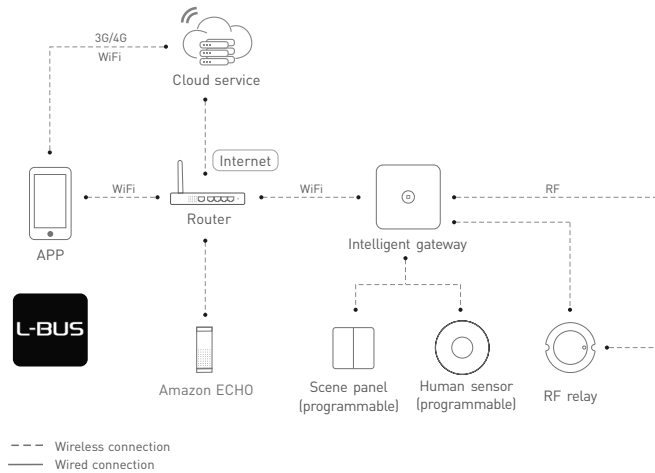
## CV LED Wireless + DMX Driver

- Support RF 2.4GHz wireless signal and DMX wired connection.
- Can connect dimming, color temperature, RGB, RGBW, RGBWY lamps.
- Compatible with F series remote, RC4-RF-B remote and Q series remote.
- Compatible with EX series touch panel.
- Compatible with WiFi-106 / WiFi-108 gateway.



### System Diagram

### L-BUS

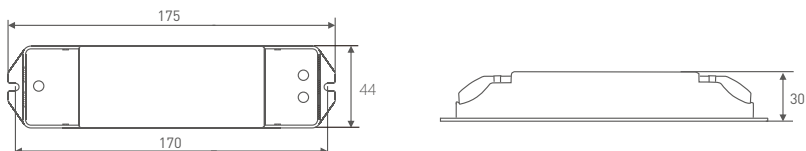


### Specification

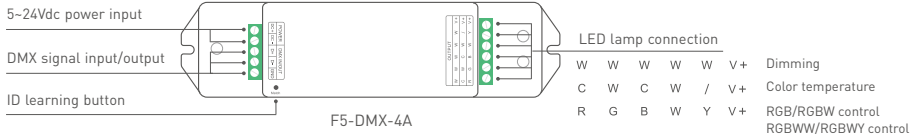
Model	F4-DMX-5A	F5-DMX-4A
Dimming interface	DMX/RDM	
Wireless signal	RF 2.4GHz	
Input voltage	5-24Vdc	
Output voltage	5-24Vdc	
Current load	5A×4CH Max. 20A	4A×5CH/5A×4CH Max. 20A
Output power	(0-25W...120W)×4CH Max. 480W	(0-20W...96W)×5CH Max. 480W
Protection	Short circuit / Over current / Reverse connection protection	Short circuit / Over current / over-heat / Reverse connection protection
Working temperature	-30°C-55°C	
Product size	L175×W44×H30(mm)	
Package size	L178×W48×H33(mm)	
Weight[G.W.]	130g	

### Product Size

Unit: mm



## Terminal Description



## Match Code

Match code (ID learning button method):

Step 1:

Short press "ID learning button" on driver, the lamps flicker, please complete step 2 within 15 seconds.



Step 2:

### Match code with F series remote:

Single zone remote: Long press On/Off key.  
Multi-zone remote: Long press the matching zone's ON & OFF keys simultaneously.



### Match code with Q series or RC4-RF-B remote:

Long press the matching zone's ON key.



### Match code with EX series panel:

Single zone panel: Long press On/Off key, then press any key.  
Multi-zone panel: Long press On/Off key, then press the matching zone key.



\* Please match code it when panel is power-on.

### Match code with gateway:

Turn on APP, enter "zone set" interface, click the right top "MATCH" key, then follow the prompts.



Match code (power on method):

Step 1:

The driver power off .



Step 2:

### Match code with F series remote:

Single zone remote: Hold down On/Off key, meanwhile the driver power on.  
Multi-zone remote: Hold down the matching zone's On & Off keys simultaneously, meanwhile the driver power on.



### Match code with Q series or RC4-RF-B remote:

Hold down the matching zone's ON key, meanwhile the driver power on.



### Match code with EX series panel:

A. Single zone panel: Long press ON/OFF key until all indicator flicking.  
Multi-zone panel: Long press ON/OFF key until all zone's indicator flicking.



B. The driver power on, the lamps flicker slowly, please complete step c within 15s.

C. Single zone panel: Press any key on panel.  
Multi-zone panel: Press the matching zone key.

\* Please match code when panel is power-on.

### Match code with gateway:

Turn on APP, enter "zone set" interface, click the right top "MATCH" key, then follow the prompts.



Step 3:

The lamps of driver flicker quickly and then stop flicking, the buzzer long beep, match code successfully.

Step 3:

The lamps of driver flicker quickly and then stop flicking, the buzzer long beep, match code successfully.

Match code with other gateway, please operate according to APP's prompts.



## Clear Code:

Clear Code (ID learning button method):

Long press "ID learning button" on driver for 10 seconds, If the lamps flicker 5 times, deactivate the matching successfully.

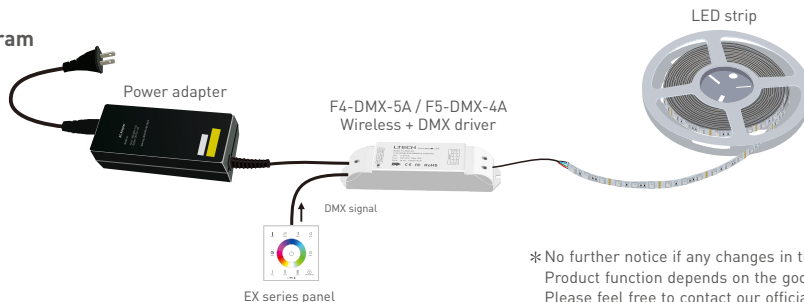


Clear Code (power on method):

Power on and off driver continuously for 10 times, if the lamps flicker 5 times, deactivate the matching successfully.



## DMX Wiring Diagram



\* No further notice if any changes in the manual.  
Product function depends on the goods.  
Please feel free to contact our official distributor if any question.