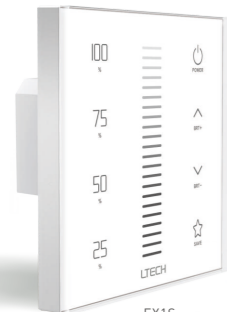


# EXIS Touch Panel (Dimming)



EX1S



F1



Receiver

Manual  
www.ltech-led.com

## Technical Specs

### EX1S Dimming Touch Panel

Input Voltage:	100~240Vac	Dimensions:	L86×W86×H36(mm)
Output Signal:	RF 2.4GHz, DMX512	Package Size:	L113×W112×H50(mm)
Working Temp.:	-30°C~55°C	Weight(G.W.):	225g

### F4-3A CV Receiver

Input Voltage:	5~24Vdc	Working Temp.:	-30°C~55°C
Current Load:	3A × 4CH Max. 12A	Dimensions:	L125×W33×H20(mm)
Max Output Power:	60W/144W/288W(5V/12V/24V)	Package Size:	L127×W35×H24(mm)
Wireless Signal:	2.4GHz	Weight(G.W.):	60g

### F4-5A CV Receiver

Input Voltage:	5~24Vdc	Working Temp.:	-30°C~55°C
Current Load:	5A × 4CH Max. 20A	Dimensions:	L175×W44×H30(mm)
Max Output Power:	100W/240W/480W(5V/12V/24V)	Package Size:	L178×W48×H33(mm)
Wireless Signal:	2.4GHz	Weight(G.W.):	150g

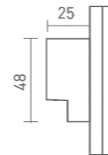
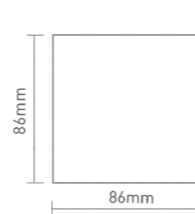
### F4-CC CC Receiver

Input Voltage:	12~48Vdc	Working Temp.:	-30°C~55°C
Output Voltage:	3~46Vdc	Dimensions:	L175×W44×H30(mm)
Output Current:	CC 350/700/1050mA×4CH	Package Size:	L178×W48×H33(mm)
Output Power:	1.05W~48.3W×4CH Max 193.2W	Weight(G.W.):	165g
Wireless Signal:	2.4GHz		

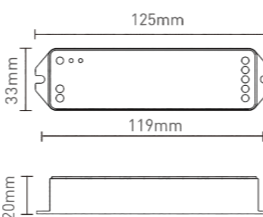
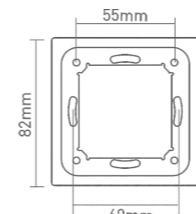
Note: Receiver is sold separately.



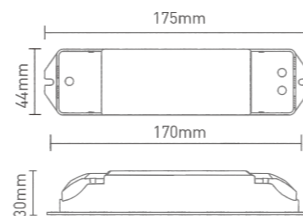
## Product Size:



EX1S

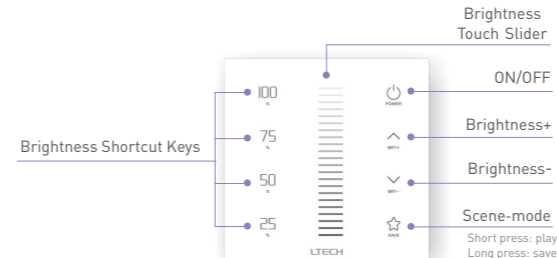


F4-3A



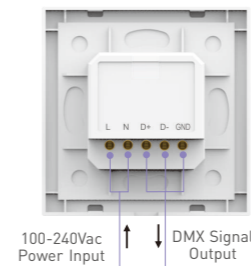
F4-5A/F4-CC

## Key Functions:

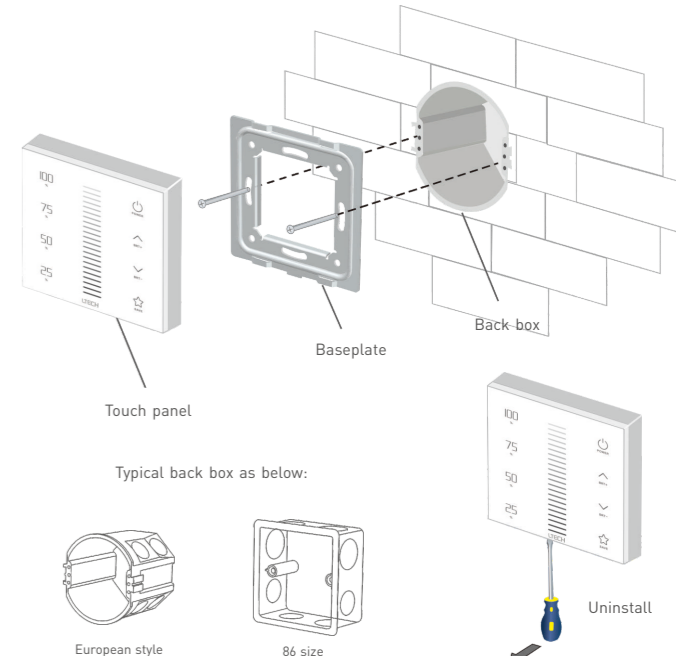


\* When the touch panel is off, Long press to turn on/off the buzzer  
When the touch panel is on, Long press to match code.

## Terminals:

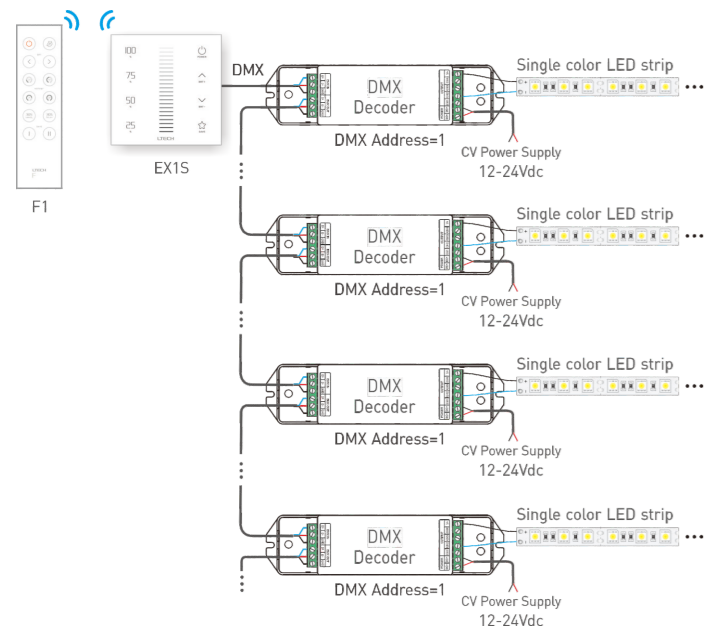


## Installation Instruction:



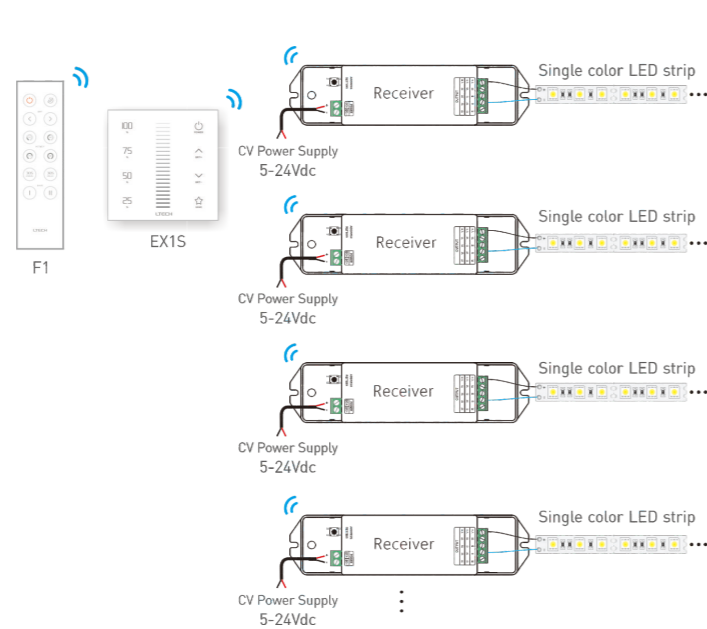
## DMX Wiring:

LTECH



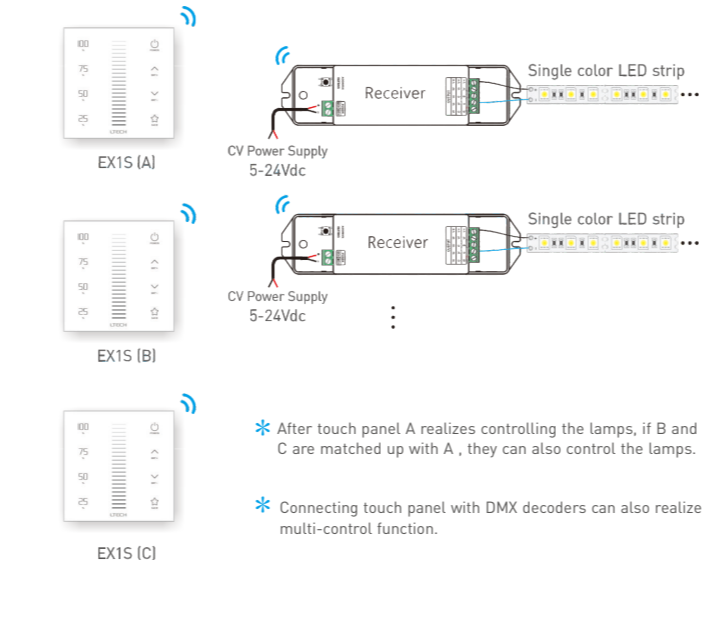
## RF Wireless Wiring:

LTECH



## Multi-control Wiring:

LTECH



\* After touch panel A realizes controlling the lamps, if B and C are matched up with A, they can also control the lamps.

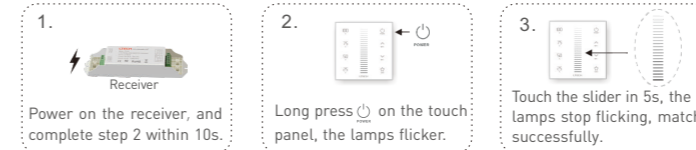
\* Connecting touch panel with DMX decoders can also realize multi-control function.

## Match/Clear Code between Touch Panel & Receiver

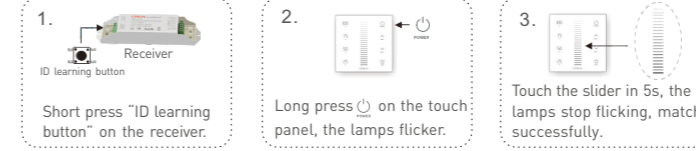
LTECH

### Match code:

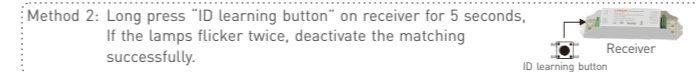
Method 1 : When the touch panel is on and the wiring between the receiver and the lamps are correct.



Method 2 : When the touch panel is on and the wiring between the receiver and the lamps are correct.



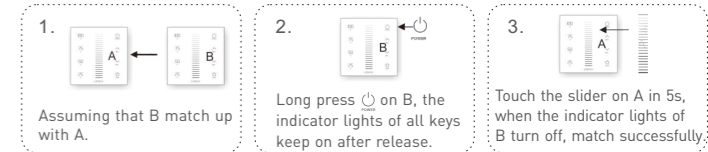
### Clear code:



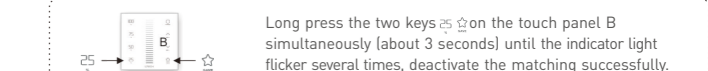
## Match/Clear Code between Touch Panels:

LTECH

### Match code:

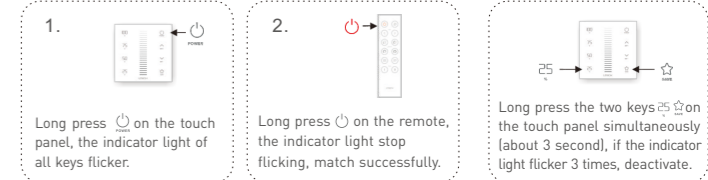


### Clear code:



## Match/Clear Code between Touch Panel & Remote:

### Match code:



### Clear code:

