

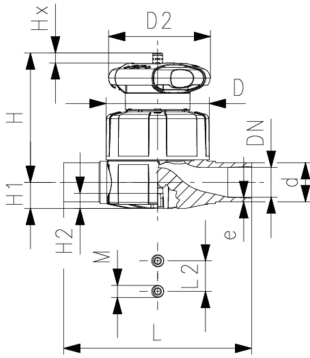
PROGEF Standard Diaphragm valve type 515
With butt fusion spigots SDR11 metric

Model:

- Material: PP-H
- Double flow rate compared to predecessor
- One housing nut replaces four screws
- Handwheel with built-in locking mechanism
- Overall length EN 558

Option:

- Individual configuration of the valve
 - Self adjusting multifunctional module with integrated limit switches
- * O-Ring material: FKM



d (mm)	DN (mm)	Size (inch)	PN (bar)	kv-value ($\Delta p=1$ bar) (L/min)	NBR Code	EPDM Code	GP
20	15	½	10	125	167 515 102	167 515 112	10
25	20	¾	10	271	167 515 103	167 515 113	6
32	25	1	10	481	167 515 104	167 515 114	6
40	32	1 ¼	10	759	167 515 105	167 515 115	6
50	40	1 ½	10	1263	167 515 106	167 515 116	8
63	50	2	10	1728	167 515 107	167 515 117	

d (mm)	PTFE/ EPDM* Code	FKM Code	Weight (kg)
20	167 515 132	167 515 162	0.297
25	167 515 133	167 515 163	0.381
32	167 515 134	167 515 164	0.948
40	167 515 135	167 515 165	1.104
50	167 515 136	167 515 166	2.052
63	167 515 137	167 515 167	2.601

d (mm)	D (mm)	D2 (mm)	H (mm)	H1 (mm)	H2 (mm)	L (mm)	L2 (mm)	M	e (mm)	Lift = Hx (mm)	closest inch (inch)
20	65	65	73	14	12	124	25	M6	1.9	7	½
25	80	65	81	18	12	144	25	M6	2.3	10	¾
32	88	87	107	22	12	155	25	M6	2.9	13	1
40	101	87	115	26	15	176	45	M8	3.7	15	1 ¼
50	117	135	148	32	15	193	45	M8	4.6	19	1 ½
63	144	135	166	39	15	223	45	M8	5.8	25	2

The technical data are not binding. They neither constitute expressly warranted characteristics nor guaranteed properties nor a guaranteed durability. They are subject to modification. Our General Terms of Sale apply.

Georg Fischer Piping Systems Ltd, Postfach, CH-8201 Schaffhausen/Switzerland Phone +41 -(0)52-631 1111 e-mail: info.ps@georgfischer.com Internet: <http://www.gfps.com>