

# SloanLED Horizon

Premium Backlit LED Recessed Luminaire

We Brighten  
Your Brands.

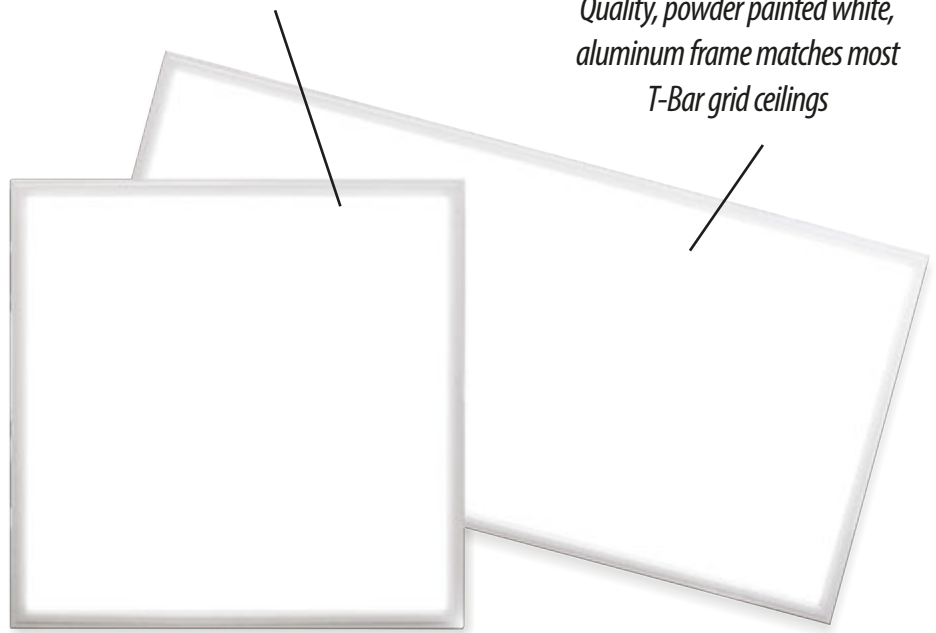
 **SloanLED**<sup>®</sup>  
Leaders in LED Technology

# A Bright Choice.

SloanLED Horizon is designed to replace fluorescent fixtures with a fresh, modern look in commercial, retail, and business environments, and features suspension and surface mounting options for easy, secure installation in a wide range of applications. The smooth light output, quality construction, dimming options, and superior efficacy make SloanLED Horizon the bright choice.

*High efficacy LEDs save energy and lower total cost of ownership for fast ROI*

*Quality, powder painted white, aluminum frame matches most T-Bar grid ceilings*



- Maximum efficacy and minimum glare
- Suspension and surface mounting for convenient installation
- Superior heat dissipation
- Impact resistant PMMA light guide for lasting quality
- **Saves up to 51% energy compared with typical fluorescent fixtures\***



## Features

## Benefits

Superior lumen output	Able to retrofit a T8 600 mm × 1200 mm with a 600 mm × 600 mm at higher lux levels
Smooth light output, free of shadowing and scalloping	Glare free diffuser for bright, beautiful interior illumination
Quality construction and impact resistant PMMA light guide	High quality panel won't crack or yellow
Suspension and surface mounting options	Versatile mounting options ensure fast, easy installation in a wide range of applications in new or remodel construction
Battery backup accessory available	Provides over 3 hours of emergency lighting during power outages
Television grade optic lens technology for reduced luminaire depth	Perfect for applications with shallow plenums or low ceilings where mounting space is limited
0-10 V Dimming/PWM	Control energy savings and adjust light levels for specific ambiance
5-year limited warranty	Have confidence that your fixtures are covered by the SloanLED warranty —we are committed to our products and your satisfaction

\* Compared to a 4 x 32 W T8 (600 x 1200 mm) fixture.

For more information on our Indoor Commercial collection of products, visit [SloanLED.com](http://SloanLED.com).

# Cutting edge aesthetics.

SloanLED Horizon provides smooth, glare free, comfortable lighting, and a clean, modern look for a variety of applications:

- **Office environments** – create a bright, friendly atmosphere and increase productivity
- **Retail settings** – achieve higher product visibility to increase sales and highlight vibrant colors of product displays
- **Healthcare** – obtain visitor trust and confidence by creating a clean, sterile appearance in the general lighting of patient care facilities

0-10 V dimming or PWM dimming provides the ability to create the right amount of light for the intended space, and the power to control energy usage for higher savings and fast ROI.

## Highly adaptable.

Available in two sizes, this thin, lightweight fixture makes SloanLED Horizon highly adaptable to a variety of settings where mounting space is limited. Versatile mounting options ensure fast, easy installation in a wide range of applications in new or remodel construction.

## There's no substitute for quality.

Other LED manufacturers use cheaper components and maximize the potential brightness of their products at the expense of longevity; overdriving the LEDs for instant gratification while sacrificing sustainability and endurance. SloanLED uses the highest caliber components in order to offer you a superior product with the longest lifespan, maximum reliability, and the lowest maintenance requirements, for top performance, and incredible ROI.



# SloanLED Horizon

## Specifications

### Electrical

**Input voltage** ..... 220-240 VAC, 50-60 Hz

**System power**..... 600 × 600 mm .....40 W  
600 × 1200 mm .....48 W

**System efficacy (nominal)**..... 122 lm/W

**Power factor**..... >0.9

**THD**..... <20%

### Lighting

	600 × 600 mm			600 × 1200 mm		
	3000 K	4000 K	5000 K	3000 K	4000 K	5000 K
<b>Lumens (nominal)</b>	4,963	5,033	5,104	5,882	5,986	6,090
<b>Efficacy*</b>	121.9 lm/W	125.8 lm/W	127.3 lm/W	122.1 lm/W	124.7 lm/W	126.4 lm/W

**Beam angle** ..... 120°

**Color temperature (CCT)** ..... 3000 K\*, 4000 K, 5000 K\*

**Color rendering (CRI)** ..... >80

**Dimming** ..... On/Off (standard), 0-10 V/PWM optional

### Performance

**Application** ..... IC rated for use in insulated applications

**Ingress protection** ..... IP20 (dry location rated)

**Operating temperature**..... -25° C to +50° C (-13° F to +122° F)

**Life rating** ..... >60,000 hours reported

### Construction

**Frame**..... Aluminum

**Finish** ..... Satin white frame

**Diffuser**..... Translucent white PMMA

### Documentation

**Warranty**..... 5-year limited

**Agency listings**..... CE, ETL, FCC

## Dimensions



595 mm × 595 mm × 33 mm  
(23.4" × 23.4" × 1.3")



1195 mm × 595 mm × 33 mm  
(47.0" × 23.4" × 1.3")

## Accessories



**Surface Mount Box**  
AXSMT-6060-WH  
(600 × 600 mm)  
AXSMT-6012-WH  
(600 × 1200 mm)



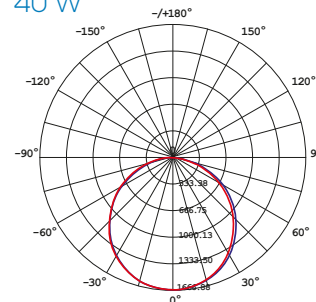
**Suspension Kit**  
AXSUS-4WB  
(600 × 600 mm and  
600 × 1200 mm)



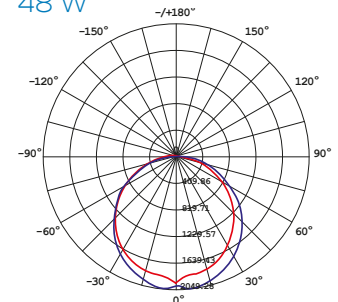
**8 W, 40-50 W, Battery Backup**  
AXEMB1-8W-CE

## Photometrics

### 40 W



### 48 W



† Available by special order. Contact SloanLED sales.



## Ordering information

### Part number

Example: FP20-6060-4040X

FP20 —

#### Body size (nominal)

Code	Desc.
6060-40	600 × 600 mm
6012-50	600 × 1200 mm

#### Color temp. (CCT)

Code	Desc.
30	3000 K*
40	4000 K
50	5000 K*

#### Dimming

Code	Desc.
X	Non-dimming
V	0-10 V dim/PWM

#### Lead

Code	Desc.
(blank)	Flying leads
A	AS/N25 molded cord set

**SloanLED Headquarters**  
5725 Olivas Park Drive, Ventura, CA, USA  
805.676.3200 • info@SloanLED.com

**SloanLED Europe b.v.**  
Argonstraat 110, 2718 SN Zoetermeer, NL  
+31 88 12 44 900 • europe@SloanLED.com

SloanLED.com

