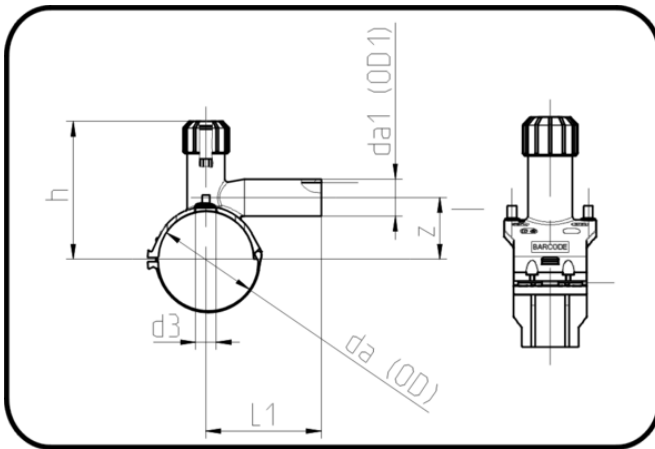


## Saddles



Code: 278

- Tapping Saddle with screw cap
- gastight-bottom part screwable
- injection moulded
- Electro-fusion
- PE 100 black

Dimension	Code	Detail	da(OD) mm	da1(OD 1) mm	z mm	L1 mm	d3 mm	h mm	Weight
40/20	25.278.4020.11	40/20 SDR11 ISO S-5	40	20	36	100	16	103	0.173
40/25	25.278.4025.11	40/25 SDR11 ISO S-5	40	25	36	110	16	103	0.108
40/32	25.278.4032.11	40/32 SDR11 ISO S-5	40	32	36	120	16	103	0.189
63/20	25.278.6320.11	63/20 SDR11 ISO S-5	63	20	60	120	26	169,5	0.56
63/25	25.278.6325.11	63/25 SDR11 ISO S-5	63	25	58	120	26	169,5	0.301
63/32	25.278.6332.11	63/32 SDR11 ISO S-5	63	32	57	129	26	169,5	0.58
63/40	25.278.6340.11	63/40 SDR11 ISO S-5	63	40	58,5	141	26	169,5	0.58
63/63	25.278.6363.11	63/63 SDR11 ISO S-5	63	63	60	178	26	169,5	0.69
90/25	25.278.9025.11	90/25 SDR11 ISO S-5	90	25	67	125	32	196,5	0.397
90/32	25.278.9032.11	90/32 SDR11 ISO S-5	90	32	67	130	32	196,5	0.785
90/40	25.278.9040.11	90/40 SDR11 ISO S-5	90	40	67	150	32	196,5	0.428
90/63	25.278.9063.11	90/63 SDR11 ISO S-5	90	63	67	184	32	196,5	0.885
110/20	25.278.1120.11	110/20 SDR11 ISO S-5	110	20	76	120	32	206,5	0.812
110/25	25.278.1125.11	110/25 SDR11 ISO S-5	110	25	76	125	32	206,5	0.8
110/32	25.278.1132.11	110/32 SDR11 ISO S-5	110	32	76	131	32	206,5	0.8
110/40	25.278.1140.11	110/40 SDR11 ISO S-5	110	40	76	151	32	206,5	0.834
110/63	25.278.1163.11	110/63 SDR11 ISO S-5	110	63	82,5	185	32	206,5	0.945
125/20	25.278.1220.11	125/20 SDR11 ISO S-5	125	20	82	120	32	214	0.81
125/25	25.278.1225.11	125/25 SDR11 ISO S-5	125	25	82	125	32	214	0.457
125/32	25.278.1232.11	125/32 SDR11 ISO S-5	125	32	82	131	32	214	0.82
125/40	25.278.1240.11	125/40 SDR11 ISO S-5	125	40	82	151	32	214	0.85
125/63	25.278.1263.11	125/63 SDR11 ISO S-5	125	63	82	185	32	214	0.98
160/20	25.278.1620.11	160/20 SDR11 ISO S-5	160	20	98,5	121	32	231,5	0.85

Dimension	Code	Detail	da(OD) mm	da1(OD 1) mm	z mm	L1 mm	d3 mm	h mm	Weight
160/25	25.278.1625.11	160/25 SDR11 ISO S-5	160	25	99	125	32	231,5	0.504
160/32	25.278.1632.11	160/32 SDR11 ISO S-5	160	32	99	130	32	231,5	0.89
160/40	25.278.1640.11	160/40 SDR11 ISO S-5	160	40	103,5	148	32	231,5	0.93
160/63	25.278.1663.11	160/63 SDR11 ISO S-5	160	63	102,5	198	32	231,5	1.058
180/25	25.278.1825.11	180/25 SDR11 ISO S-5	180	25	115	125	32	241,5	0.541
180/32	25.278.1832.11	180/32 SDR11 ISO S-5	180	32	115	130	32	241,5	0.933
180/63	25.278.1863.11	180/63 SDR11 ISO S-5	180	63	115	198	32	241,5	1.07
200/20	25.278.2020.11	200/20 SDR11 ISO S-5	200	20	116	120	32	251,5	0.99
200/25	25.278.2025.11	200/25 SDR11 ISO S-5	200	25	117	125	32	251,5	0.6
200/32	25.278.2032.11	200/32 SDR11 ISO S-5	200	32	118	130	32	251,5	1
200/40	25.278.2040.11	200/40 SDR11 ISO S-5	200	40	118	158	32	251,5	1.04
200/63	25.278.2063.11	200/63 SDR11 ISO S-5	200	63	122	198	32	251,5	1.12
225/25	25.278.2225.11	225/25 SDR11 ISO S-5	225	25	138,5	125	32	297	0.658
225/32	25.278.2232.11	225/32 SDR11 ISO S-5	225	32	138,5	130	32	297	1.17
225/63	25.278.2263.11	225/63 SDR11 ISO S-5	225	63	138,5	207	32	297	1.3
315/63	25.278.3163.11	315/63 SDR11 ISO S-5	315	63	181,5	215	32	342	1.35