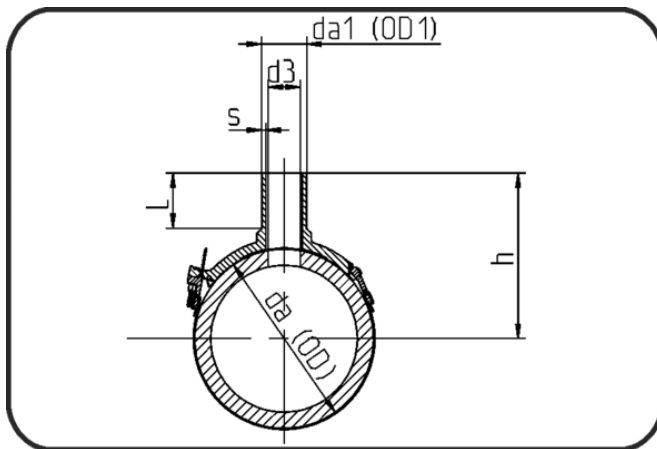


Saddles



Code: 288

- Spigot saddle
- MOP water 16bar
- bottom part screwable
- injection moulded
- Electro-fusion
- PE 100-RC black

Dimension	Code	Detail	da(OD) mm	da1(OD1) mm	d3 mm	s mm	L mm	Weight
90/20	70.288.9020.11	90/20 SDR11 ISO S-5	90	20	12	3	56	0.179
90/32	70.288.9032.11	90/32 SDR11 ISO S-5	90	32	24	3	60	0.18
90/40	70.288.9040.11	90/40 SDR 11 ISO-S5	90	40	32	3,7	64	0.35
90/63	70.288.9063.11	90/63 SDR11 ISO S-5	90	63	45	5,8	77	0.26
110/20	70.288.1120.11	110/20 SDR11 ISO S-5	110	20	12	3	56	0.204
110/32	70.288.1132.11	110/32 SDR11 ISO S-5	110	32	24	3	60	0.21
110/40	70.288.1140.11	110/40 SDR11 ISO S-5	110	40	31	3,7	64	0.22
110/63	70.288.1163.11	110/63 SDR11 ISO S-5	110	63	45	5,8	77	0.305
125/20	70.288.1220.11	125/20 SDR11 ISO S-5	125	20	12	3	56	0.224
125/32	70.288.1232.11	125/32 SDR11 ISO S-5	125	32	24	3	60	0.229
125/40	70.288.1240.11	125/40 SDR11 ISO S-5	125	40	32	3,7	64	0.236
125/63	70.288.1263.11	125/63 SDR11 ISO S-5	125	63	45	5,8	77	0.323
160/32	70.288.1632.11	160/32 SDR11 ISO S-5	160	32	24	3	60	0.444
160/40	70.288.1640.11	160/40 SDR11 ISO S-5	160	40	31	3,7	64	0.428
160/50	70.288.1650.11	160/50 SDR11 ISO S-5	160	50	36	4,6	71	0.487
160/63	70.288.1663.11	160/63 SDR11 ISO S-5	160	63	45	5,8	77	0.51
160/90	70.288.1690.11	160/90 SDR11 ISO S-5	160	90	65	8,2	92	0.881
160/110	70.288.1611.11	160/110 SDR11 ISO S-5	160	110	84	10	98	0.949
180/32	70.288.1832.11	180/32 SDR11 ISO S-5	180	32	24	3	60	0.472
180/40	70.288.1840.11	180/40 SDR11 ISO S-5	180	40	31	3,7	64	0.481
180/50	70.288.1850.11	180/50 SDR11 ISO S-5	180	50	36	4,6	71	0.565
180/63	70.288.1863.11	180/63 SDR11 ISO S-5	180	63	45	5,8	77	0.589
180/90	70.288.1890.11	180/90 SDR11 ISO S-5	180	90	65	8,2	92	1.005

Dimension	Code	Detail	da(OD) mm	da1(OD1) mm	d3 mm	s mm	L mm	Weight
180/110	70.288.1811.11	180/110 SDR11 ISO S-5	180	110	84	10	98	1.095
200/20	70.288.2020.11	200/20 SDR11 ISO S-5	200	20	12	3	56	0.269
200/32	70.288.2032.11	200/32 SDR11 ISO S-5	200	32	24	3	60	0.272
200/40	70.288.2040.11	200/40 SDR11 ISO S-5	200	40	32	3,7	64	0.278
200/63	70.288.2063.11	200/63 SDR11 ISO S-5	200	63	45	5,8	77	0.519
225/32	70.288.2232.11	225/32 SDR11 ISO S-5	225	32	24	3	60	0.464
225/40	70.288.2240.11	225/40 SDR11 ISO S-5	225	40	31	3,7	64	0.47
225/50	70.288.2250.11	225/50 SDR11 ISO S-5	225	50	36	4,6	71	0.53
225/63	70.288.2263.11	225/63 SDR11 ISO S-5	225	63	45	5,8	77	0.555
225/90	70.288.2290.11	225/90 SDR11 ISO S-5	225	90	65	8,2	92	0.942
225/110	70.288.2211.11	225/110 SDR11 ISO S-5	225	110	84	10	97	1.018
250/50	70.288.2550.11	250/50 SDR11 ISO S-5	250	50	36	4,6	72	0.376
250/63	70.288.2563.11	250/63 SDR11 ISO S-5	250	63	45	5,8	77	0.55
250/75	70.288.2575.11	250/75 SDR11 ISO S-5	250	75	55	6,8	86	0.731
250/90	70.288.2590.11	250/90 SDR11 ISO S-5	250	90	65	8,2	92	0.991
250/110	70.288.2511.11	250/110 SDR11 ISO S-5	250	110	84	10	98	1.068
280/50	70.288.2850.11	280/50 SDR11 ISO S-5	280	50	36	4,6	72	0.48
280/63	70.288.2863.11	280/63 SDR11 ISO S-5	280	63	45	5,8	77	0.55
280/90	70.288.2890.11	280/90 SDR11 ISO S-5	280	90	65	8,2	92	1.038
280/110	70.288.2811.11	280/110 SDR11 ISO S-5	280	110	84	10	98	1.068
315/63	70.288.3163.11	315/63 SDR11 ISO S-5	315	63	45	5,8	77	0.619
315/90	70.288.3190.11	315/90 SDR11 ISO S-5	315	90	65	8,2	92	1.059
315/110	70.288.3111.11	315/110 SDR11 ISO S-5	315	110	84	10	98	1.185