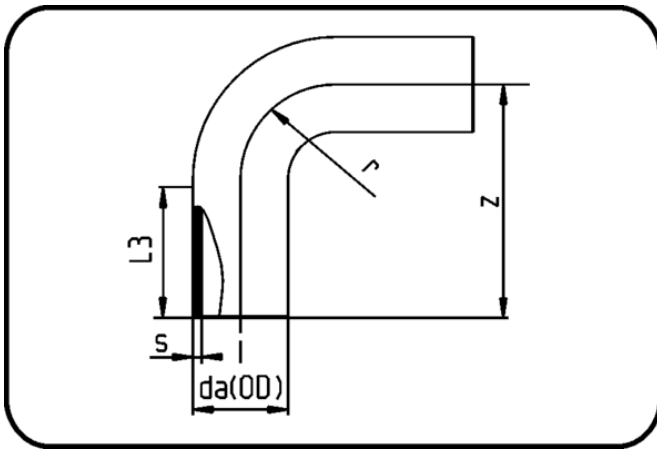


MULTI Fittings



Code: 068

- **MULTI-Bend 90°**
- long spigot
- injection moulded
- **Butt+E-socket-welding**
- **HDPE-el black**

Dimension	Code	Detail	da(OD) mm	s mm	z mm	r mm	L3 mm	Weight
110	28.068.0110.17	110X6,6 SDR17 ISO S-8	110	6,6	189	110	82	0.839
32	28.068.0032.11	32X3,0 SDR11 ISO S-5	32	3	79	32	47	0.045
40	28.068.0040.11	40X3,7 SDR11 ISO S-5	40	3,7	92,5	40	52	0.08
50	28.068.0050.11	50X4,6 SDR11 ISO S-5	50	4,6	108,5	50	58,5	0.145
63	28.068.0063.11	63X5,8 SDR11 ISO S-5	63	5,8	129,5	63	66,5	0.278
75	28.068.0075.11	75X6,8 SDR11 ISO S-5	75	6,8	150	75	75	0.447
90	28.068.0090.11	90X8,2 SDR11 ISO S-5	90	8,2	168	90	76	0.719
110	28.068.0110.11	110X10,0 SDR11 ISO S-5	110	10	189	110	82	1.2
160	28.068.0160.11	160X14,6 SDR11 ISO S-5	160	14,6	260	160	100,5	3.56