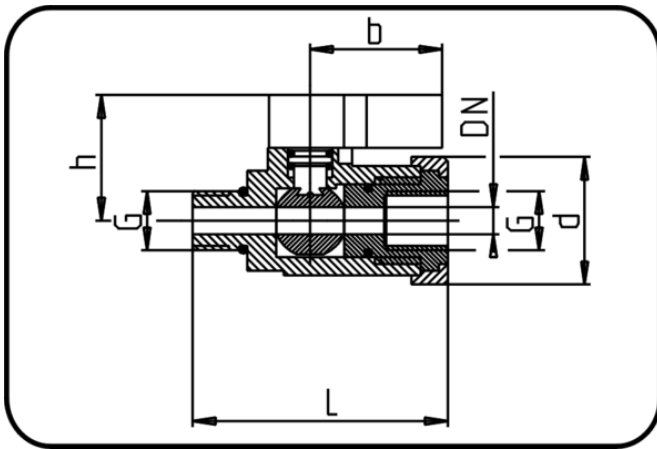


Valves



Code: 337

- **Sampling Valve**
- BSP-thread
- injection moulded
- **Thread connection**
- **PVDF UHP natural**

Dimension	Code	Detail	L mm	h mm	b mm	DN mm	d mm	G inch	Weight
10	35.337.0000.11	10 - MOP 10 bar	56	25,5	28,2	6	28	0,25	0.05