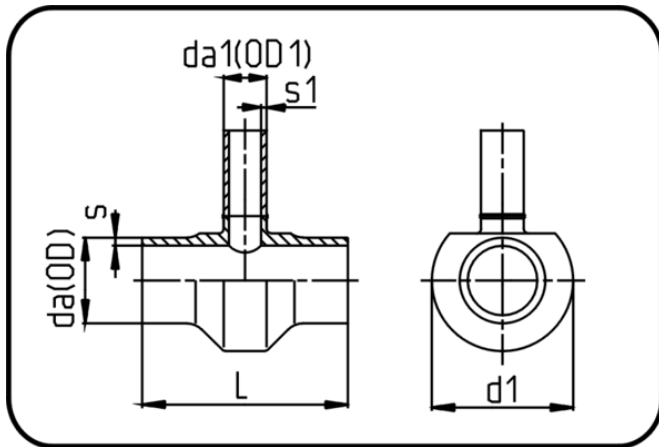


Fittings



Code: 307

- Tee reduced
- machined
- Butt+IR-welding
- PVDF UHP natural

| Dimension | Code | Detail | da(OD) mm | da1(OD 1) mm | s mm | s1 mm | d1 mm | L mm | Weight |
|-----------|----------------|-----------------------|--------------|-----------------|---------|----------|----------|---------|--------|
| 63/20 | 35.307.6320.21 | 63/20 SDR21 ISO S-10 | 63 | 20 | 3 | 1,9 | 84 | 120 | 0.372 |
| 63/25 | 35.307.6325.21 | 63/25 SDR21 ISO S-10 | 63 | 25 | 3 | 1,9 | 84 | 120 | 0.4 |
| 75/20 | 35.307.7520.21 | 75/20 SDR21 ISO S-10 | 75 | 20 | 3,6 | 1,9 | 105 | 120 | 0.59 |
| 75/25 | 35.307.7525.21 | 75/25 SDR21 ISO S-10 | 75 | 25 | 3,6 | 1,9 | 105 | 120 | 0.59 |
| 75/32 | 35.307.7532.21 | 75/32 SDR21 ISO S-10 | 75 | 32 | 3,6 | 2,4 | 85 | 140 | 0.38 |
| 90/20 | 35.307.9020.21 | 90/20 SDR21 ISO S-10 | 90 | 20 | 4,3 | 1,9 | 105 | 149 | 0.62 |
| 90/25 | 35.307.9025.21 | 90/25 SDR21 ISO S-10 | 90 | 25 | 4,3 | 1,9 | 105 | 149 | 0.63 |
| 90/32 | 35.307.9032.21 | 90/32 SDR21 ISO S-10 | 90 | 32 | 4,3 | 2,4 | 105 | 149 | 0.495 |
| 90/50 | 35.307.9050.21 | 90/50 SDR21 ISO S-10 | 90 | 50 | 4,3 | 3 | 130 | 210 | 1.315 |
| 90/75 | 35.307.9075.21 | 90/75 SDR21 ISO S-10 | 90 | 75 | 4,3 | 3,6 | 130 | 230 | 1.605 |
| 110/20 | 35.307.1120.21 | 110/20 SDR21 ISO S-10 | 110 | 20 | 5,3 | 1,9 | 124 | 150 | 0.81 |
| 110/25 | 35.307.1125.21 | 110/25 SDR21 ISO S-10 | 110 | 25 | 5,3 | 1,9 | 124 | 150 | 0.615 |
| 110/32 | 35.307.1132.21 | 110/32 SDR21 ISO S-10 | 110 | 32 | 5,3 | 2,4 | 124 | 150 | 0.8 |
| 110/40 | 35.307.1140.21 | 110/40 SDR21 ISO S-10 | 110 | 40 | 5,3 | 2,4 | 145 | 210 | 1.625 |
| 110/50 | 35.307.1150.21 | 110/50 SDR21 ISO S-10 | 110 | 50 | 5,3 | 3 | 145 | 210 | 1.53 |
| 110/75 | 35.307.1175.21 | 110/75 SDR21 ISO S-10 | 110 | 75 | 5,3 | 3,6 | 150 | 230 | 2.115 |
| 140/20 | 35.307.1420.21 | 140/20 SDR21 ISO S-10 | 140 | 20 | 6,7 | 1,9 | 157 | 158 | 1.4 |
| 140/25 | 35.307.1425.21 | 140/25 SDR21 ISO S-10 | 140 | 25 | 6,7 | 1,9 | 157 | 158 | 1.12 |
| 140/32 | 35.307.1432.21 | 140/32 SDR21 ISO S-10 | 140 | 32 | 6,7 | 2,4 | 157 | 158 | 1.44 |
| 140/40 | 35.307.1440.21 | 140/40 SDR21 ISO S-10 | 140 | 40 | 6,7 | 2,4 | 150 | 210 | 1.61 |
| 140/50 | 35.307.1450.21 | 140/50 SDR21 ISO S-10 | 140 | 50 | 6,7 | 3 | 150 | 210 | 1.64 |
| 140/63 | 35.307.1463.21 | 140/63 SDR21 ISO S-10 | 140 | 63 | 6,7 | 3 | 150 | 210 | 1.61 |
| 140/90 | 35.307.1490.21 | 140/90 SDR21 ISO S-10 | 140 | 90 | 6,7 | 4,3 | 178 | 180 | 2.99 |

| Dimension | Code | Detail | da(OD) mm | da1(OD 1) mm | s mm | s1 mm | d1 mm | L mm | Weight |
|-----------|----------------|----------------------------|--------------|--------------------|---------|----------|----------|---------|--------|
| 140/110 | 35.307.1411.21 | 140/110 SDR21 ISO S-10 | 140 | 110 | 6,7 | 5,3 | 178 | 230 | 3.014 |
| 160/20 | 35.307.1620.21 | 160/20 SDR21 ISO S-10 | 160 | 20 | 7,7 | 1,9 | 178 | 158 | 1.73 |
| 160/25 | 35.307.1625.21 | 160/25 SDR21 ISO S-10 | 160 | 25 | 7,7 | 1,9 | 178 | 158 | 1.224 |
| 160/32 | 35.307.1632.21 | 160/32 SDR21 ISO S-10 | 160 | 32 | 7,7 | 2,4 | 178 | 158 | 1.77 |
| 160/40 | 35.307.1640.21 | 160/40 SDR21 ISO S-10 | 160 | 40 | 7,7 | 2,4 | 170 | 210 | 2.02 |
| 160/50 | 35.307.1650.21 | 160/50 SDR21 ISO S-10 | 160 | 50 | 7,7 | 3 | 170 | 210 | 2.01 |
| 160/63 | 35.307.1663.21 | 160/63 SDR21 ISO S-10 | 160 | 63 | 7,7 | 3 | 170 | 210 | 2.01 |
| 160/75 | 35.307.1675.21 | 160/75 SDR21 ISO S-10 | 160 | 75 | 7,7 | 3,6 | 200 | 210 | 3.45 |
| 225/20 | 35.307.2220.21 | 225/20 SDR21 ISO S-10 | 225 | 20 | 10,8 | 1,9 | 250 | 130 | 2.31 |
| 225/40 | 35.307.2240.21 | 225/40 SDR21 ISO S-10 | 225 | 40 | 10,8 | 2,4 | 246 | 130 | 3.11 |
| 225/63 | 35.307.2263.21 | 225/63 SDR21 ISO S-10 | 225 | 63 | 10,8 | 3 | 260 | 165 | 3.79 |
| 225/75 | 35.307.2275.21 | 225/75 SDR21 ISO S-10 | 225 | 75 | 10,8 | 3,6 | 260 | 230 | 5.24 |
| 225/90 | 35.307.2290.21 | 225/90 SDR21 ISO S-10 | 225 | 90 | 10,8 | 4,3 | 265 | 230 | 6.06 |
| 225/110 | 35.307.2211.21 | 225/110 SDR21 ISO S-10 | 225 | 110 | 10,8 | 5,3 | 278 | 280 | 6.47 |
| 225/140 | 35.307.2214.21 | 225/140 SDR21 ISO S-10 | 225 | 140 | 10,8 | 6,7 | 265 | 280 | 7.505 |
| 225/160 | 35.307.2216.21 | 225/160 SDR21 ISO S-10 | 225 | 160 | 10,8 | 7,7 | 275 | 280 | 8.598 |
| 90/20 | 35.307.9020.31 | 90/20 SDR33/21 MOP 10 bar | 90 | 20 | 2,8 | 1,9 | 105 | 149 | 0.521 |
| 90/25 | 35.307.9025.31 | 90/25 SDR33/21 MOP 10 bar | 90 | 25 | 2,8 | 1,9 | 105 | 149 | 0.36 |
| 90/32 | 35.307.9032.31 | 90/32 SDR33/21 MOP 10 bar | 90 | 32 | 2,8 | 2,4 | 105 | 149 | 0.374 |
| 110/20 | 35.307.1120.31 | 110/20 SDR33/21 MOP 10 bar | 110 | 20 | 3,4 | 1,9 | 124 | 150 | 0.615 |
| 110/25 | 35.307.1125.31 | 110/25 SDR33/21 MOP 10 bar | 110 | 25 | 3,4 | 1,9 | 124 | 150 | 0.532 |
| 110/32 | 35.307.1132.31 | 110/32 SDR33/21 MOP 10 bar | 110 | 32 | 3,4 | 2,4 | 124 | 150 | 0.678 |
| 140/20 | 35.307.1420.31 | 140/20 SDR33/21 MOP 10 bar | 140 | 20 | 4,3 | 1,9 | 157 | 158 | 1.1 |
| 140/25 | 35.307.1425.31 | 140/25 SDR33/21 MOP 10 bar | 140 | 25 | 4,3 | 1,9 | 157 | 158 | 0.85 |
| 140/32 | 35.307.1432.31 | 140/32 SDR33/21 MOP 10 bar | 140 | 32 | 4,3 | 2,4 | 157 | 158 | 0.86 |
| 140/63 | 35.307.1463.31 | 140/63 SDR33/21 MOP 10 bar | 140 | 63 | 4,3 | 3 | 150 | 210 | 1.594 |
| 160/20 | 35.307.1620.31 | 160/20 SDR33/21 MOP 10 bar | 160 | 20 | 4,9 | 1,9 | 178 | 158 | 1.45 |
| 160/25 | 35.307.1625.31 | 160/25 SDR33/21 MOP 10 bar | 160 | 25 | 4,9 | 1,9 | 178 | 158 | 1.49 |
| 160/32 | 35.307.1632.31 | 160/32 SDR33/21 MOP 10 bar | 160 | 32 | 4,9 | 2,4 | 178 | 158 | 1.485 |
| 225/140 | 35.307.2214.33 | 225/140 SDR33 ISO S-16 | 225 | 140 | 6,9 | 4,3 | 295 | 270 | 9.1 |
| 225/160 | 35.307.2216.33 | 225/160 SDR33 ISO S-16 | 225 | 160 | 6,9 | 4,9 | 300 | 275 | 9.795 |