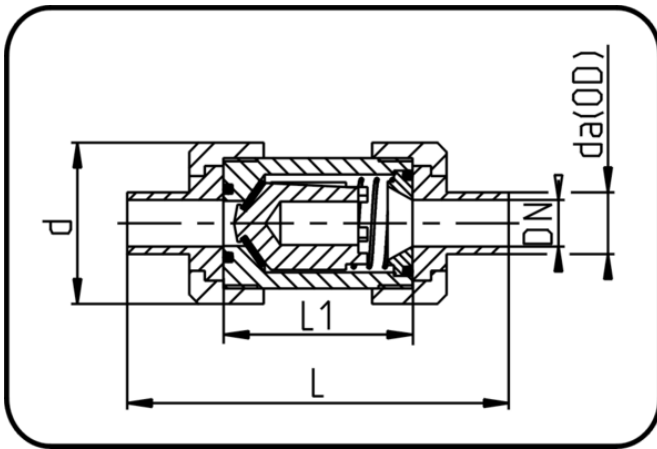


## Valves



Code: 336.15

- Check Valve with Spring
- FPM-sealing
- injection moulded
- Butt+IR-welding
- PVDF UHP natural

Dimension	Code	Detail	da(OD) mm	L mm	L1 mm	d mm	DN mm	s mm	Weight
90	35.336.1590.33	90 - SDR33 ISO S-16	90	295	161	185,5	80	2,8	5.67
20	35.336.1520.21	20 - SDR21 ISO S-10	20	124	61	52,5	15	1,9	0.207
25	35.336.1525.21	25 - SDR21 ISO S-10	25	143	69	61,5	20	1,9	0.226
32	35.336.1532.21	32 - SDR21 ISO S-10	32	151	73	69	25	2,4	0.416
40	35.336.1540.21	40 - SDR21 ISO S-10	40	171	83	83	32	2,4	0.649
50	35.336.1550.21	50 - SDR21 ISO S-10	50	192	95	99	40	3	1.012
63	35.336.1563.21	63 - SDR21 ISO S-10	63	219	108	115,5	50	3	1.567
75	35.336.1575.21	75 - SDR21 ISO S-10	75	278	133	149	65	3,6	3.104