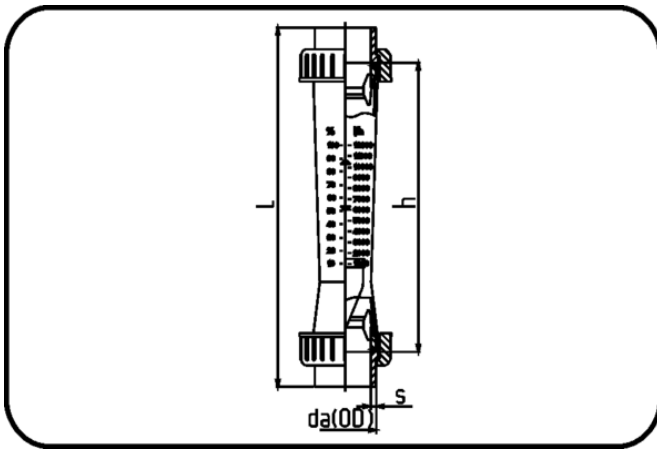


Valves



Code: 247.1

- Flow Meter M335
- FPM-sealing PSU-measuring tube
- injection moulded
- Butt+IR-welding
- PVDF UHP natural

Dimension	Code	Detail	da(OD) mm	s mm	L mm	h mm	p bar	DN mm	Weight
32	35.247.1132.21	32-SDR21 MOP 10bar 50-500l/h	32	2,4	443	335	10	25	0.52
32	35.247.1232.21	32-SDR21 MOP 10bar 100-1000l/h	32	2,4	443	335	10	25	0.52
40	35.247.1140.21	40-SDR21 MOP 10bar 150-1500l/h	40	2,4	461	335	10	32	0.6
40	35.247.1240.21	40-SDR21 MOP 10bar 250-2500l/h	40	2,4	461	335	10	32	0.725
50	35.247.1150.21	50-SDR21 MOP 10bar 200-2000l/h	50	3	459	335	10	40	1.39
50	35.247.1250.21	50-SDR21 MOP 10bar 300-3000l/h	50	3	459	335	10	40	1.4
50	35.247.1350.21	50-SDR21 MOP 10bar 600-6000l/h	50	3	459	335	10	40	1.1
63	35.247.1163.21	63-SDR21 MOP 10bar 600-6000l/h	63	3	461	335	10	50	1.89
63	35.247.1263.21	63-SDR21 MOP 10bar1000-10000lh	63	3	461	335	10	50	1.77
63	35.247.1363.21	63-SDR21 MOP 10bar1500-15000lh	63	3	461	335	10	50	1.68
75	35.247.1175.21	75-SDR21 MOP 10bar2000-20000lh	75	3,6	453	335	10	65	2.9
75	35.247.1275.21	75-SDR21 MOP 10bar3000-30000lh	75	3,6	453	335	10	65	2.9



Dimension	Code	Detail	da(OD) mm	s mm	L mm	h mm	p bar	DN mm	Weight
75	35.247.1375.21	75-SDR21 MOP 10bar8000-60000lh	75	3,6	453	335	10	65	2.9