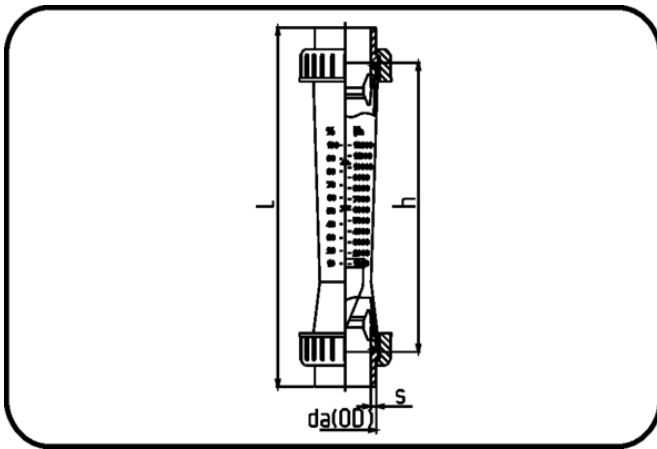


Valves



Code: 247

- Flow Meter M23
- FPM-sealing PVDF-measuringtube
- injection moulded
- Butt+IR-welding
- PVDF UHP natural

| Dimension | Code | Detail | da(OD) mm | s mm | L mm | h mm | p bar | DN mm | Weight |
|-----------|----------------|-----------------------------------|--------------|---------|---------|---------|----------|----------|--------|
| 32 | 35.247.0132.21 | 32-SDR21 MOP 10bar 15-150l/h | 32 | 2,4 | 455 | 335 | 10 | 25 | 0.52 |
| 32 | 35.247.0232.21 | 32-SDR21 MOP 10bar 50-500l/h | 32 | 2,4 | 455 | 335 | 10 | 25 | 0.625 |
| 32 | 35.247.0332.21 | 32-SDR21 MOP 10bar 100-1000l/h | 32 | 2,4 | 455 | 335 | 10 | 25 | 0.65 |
| 50 | 35.247.0150.21 | 50-SDR21 MOP 10bar 200-2000l/h | 50 | 3 | 467 | 335 | 10 | 40 | 1.39 |
| 50 | 35.247.0250.21 | 50-SDR21 MOP 10bar 300-3000l/h | 50 | 3 | 467 | 335 | 10 | 40 | 1.4 |
| 63 | 35.247.0163.21 | 63-SDR21 MOP 10bar 600-6000l/h | 63 | 3 | 473 | 335 | 10 | 50 | 1.89 |
| 63 | 35.247.0263.21 | 63-SDR21 MOP 10bar1200-12000lh | 63 | 3 | 473 | 335 | 10 | 50 | 1.71 |
| 75 | 35.247.0175.21 | 75-SDR21 MOP 10bar2000-20000lh | 75 | 3,6 | 453 | 335 | 10 | 65 | 2.445 |
| 75 | 35.247.0275.21 | 75-SDR21 MOP 10bar3000-30000lh | 75 | 3,6 | 453 | 335 | 10 | 65 | 2.35 |