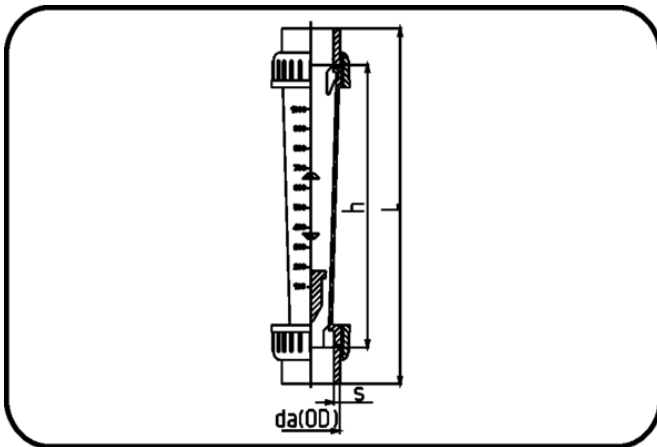


Valves



Code: 246

- **Flow Meter M123**
- FPM-sealing PVDF-measuringtube
- injection moulded
- **Butt+IR-welding**
- **PVDF UHP natural**

Dimension	Code	Detail	da(OD) mm	s mm	L mm	h mm	p bar	DN mm	Weight
20	35.246.0120.21	20-SDR21 MOP 10bar 8-80l/h	20	1,9	293	185	10	15	0.207
20	35.246.0220.21	20-SDR21 MOP 10bar 15-150l/h	20	1,9	293	185	10	15	0.13
20	35.246.0320.21	20-SDR21 MOP 10bar 20-200l/h	20	1,9	293	185	10	15	0.14
32	35.246.0132.21	32-SDR21 MOP 10bar 15-150l/h	32	2,4	320	200	10	25	0.24
32	35.246.0232.21	32-SDR21 MOP 10bar 30-300l/h	32	2,4	320	200	10	25	0.24
32	35.246.0332.21	32-SDR21 MOP 10bar 50-500l/h	32	2,4	320	200	10	25	0.24
32	35.246.0432.21	32-SDR21 MOP 10bar 100-1000l/h	32	2,4	320	200	10	25	0.339