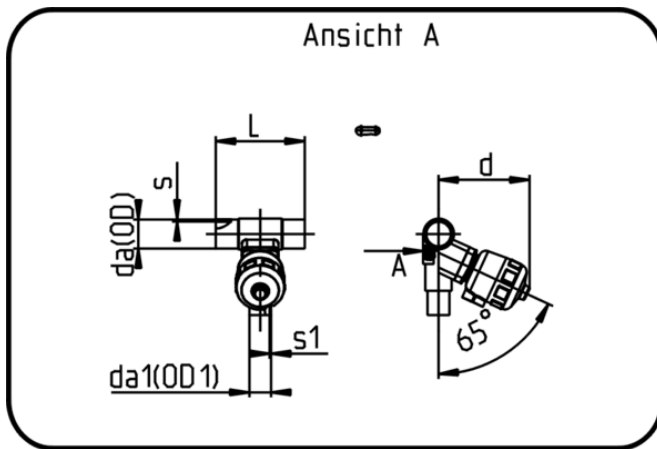


## Valves



Code: 347

- **T-Diaphragm Valve Pneumatic**

- double effective impulse
- EPDM/PTFE diaphragm

- **Butt+IR+HPF-welding**

- **PVDF UHP natural**

Dimension	Code	Detail	da(OD) mm	da1(OD 1) mm	s mm	L mm	s1 mm	d mm	Weight
20/20	35.347.2020.21	20/20 - SDR21 MOP 10 bar	20	20	1,9	164	1,9	169	1.1
25/20	35.347.2520.21	25/20 - SDR21 MOP 10 bar	25	20	1,9	164	1,9	169	1.04
25/25	35.347.2525.21	25/25 - SDR21 MOP 10 bar	25	25	1,9	164	1,9	169	1.04
32/20	35.347.3220.21	32/20 - SDR21 MOP 10 bar	32	20	2,4	164	1,9	179	1.45
32/25	35.347.3225.21	32/25 - SDR21 MOP 10 bar	32	25	2,4	164	1,9	179	1.45
32/32	35.347.3232.21	32/32 - SDR21 MOP 10 bar	32	32	2,4	164	2,4	179	1.45
40/20	35.347.4020.21	40/20 - SDR21 MOP 10 bar	40	20	2,4	184	1,9	179	1.5
40/25	35.347.4025.21	40/25 - SDR21 MOP 10 bar	40	25	2,4	184	1,9	179	1.5
40/32	35.347.4032.21	40/32 - SDR21 MOP 10 bar	40	32	2,4	184	2,4	179	1.5
40/40	35.347.4040.21	40/40 - SDR21 MOP 10 bar	40	40	2,4	235	2,4	277	4.42
50/20	35.347.5020.21	50/20 - SDR21 MOP 10 bar	50	20	3	184	1,9	179	1.57
50/25	35.347.5025.21	50/25 - SDR21 MOP 10 bar	50	25	3	184	1,9	179	1.56
50/32	35.347.5032.21	50/32 - SDR21 MOP 10 bar	50	32	3	184	2,4	179	1.56
50/50	35.347.5050.21	50/50 - SDR21 MOP 10 bar	50	50	3	235	3	288	4.7
63/20	35.347.6320.21	63/20 - SDR21 MOP 10 bar	63	20	3	184	1,9	179	1.64
63/25	35.347.6325.21	63/25 - SDR21 MOP 10 bar	63	25	3	184	1,9	179	1.64
63/32	35.347.6332.21	63/32 - SDR21 MOP 10 bar	63	32	3	184	2,4	179	1.64
63/40	35.347.6340.21	63/40 - SDR21 MOP 10 bar	63	40	3	236	2,4	286	4.93
63/50	35.347.6350.21	63/50 - SDR21 MOP 10 bar	63	50	3	236	3	286	4.92
63/63	35.347.6363.21	63/63 - SDR21 MOP 10 bar	63	63	3	236	3	286	4.92
75/25	35.347.7525.21	75/25 - SDR21 MOP 10 bar	75	25	3,6	210	1,9	184	1.81
75/32	35.347.7532.21	75/32 - SDR21 MOP 10 bar	75	32	3,6	210	2,4	184	1.82
75/40	35.347.7540.21	75/40 - SDR21 MOP 10 bar	75	40	3,6	210	2,4	284	5.06

Dimension	Code	Detail	da(OD) mm	da1(OD 1) mm	s mm	L mm	s1 mm	d mm	Weight
75/50	35.347.7550.21	75/50 - SDR21 MOP 10 bar	75	50	3,6	210	3	284	5.05
75/63	35.347.7563.21	75/63 - SDR21 MOP 10 bar	75	63	3,6	210	3	284	5.02
90/20	35.347.9020.21	90/20 - SDR21 MOP 10 bar	90	20	4,3	210	1,9	187	1.97
90/25	35.347.9025.21	90/25 - SDR21 MOP 10 bar	90	25	4,3	210	1,9	187	2
90/32	35.347.9032.21	90/32 - SDR21 MOP 10 bar	90	32	4,3	210	2,4	187	2.01
90/40	35.347.9040.21	90/40 - SDR21 MOP 10 bar	90	40	4,3	210	2,4	286	5.24
90/50	35.347.9050.21	90/50 - SDR21 MOP 10 bar	90	50	4,3	210	3	286	5.24
90/63	35.347.9063.21	90/63 - SDR21 MOP 10 bar	90	63	4,3	210	3	286	5.21
110/20	35.347.1120.21	110/20 - SDR21 MOP 10 bar	110	20	5,3	210	1,9	191	2.34
110/25	35.347.1125.21	110/25 - SDR21 MOP 10 bar	110	25	5,3	210	1,9	191	2.32
110/32	35.347.1132.21	110/32 - SDR21 MOP 10 bar	110	32	5,3	210	2,4	191	2.31
110/40	35.347.1140.21	110/40 - SDR21 MOP 10 bar	110	40	5,3	210	2,4	286	5.66
110/50	35.347.1150.21	110/50 - SDR21 MOP 10 bar	110	50	5,3	210	3	286	5.57
110/63	35.347.1163.21	110/63 - SDR21 MOP 10 bar	110	63	5,3	210	3	286	5.42
90/20	35.347.9020.31	90/20 - SDR33/21 MOP 10 bar	90	20	4,3	210	1,9	187	1.88
90/25	35.347.9025.31	90/25 - SDR33/21 MOP 10 bar	90	25	2,8	210	1,9	187	1.09
90/32	35.347.9032.31	90/32 - SDR33/21 MOP 10 bar	90	32	2,8	210	2,4	187	1.91
90/40	35.347.9040.31	90/40 - SDR33/21 MOP 10 bar	90	40	2,8	210	2,4	286	5.15
90/50	35.347.9050.31	90/50 - SDR33/21 MOP 10 bar	90	50	2,8	210	3	286	5.15
90/63	35.347.9063.31	90/63 - SDR33/21 MOP 10 bar	90	63	2,8	210	3	286	5.12
110/20	35.347.1120.31	110/20 - SDR33/21 MOP 10 bar	110	20	3,4	210	1,9	191	2.22
110/25	35.347.1125.31	110/25 - SDR33/21 MOP 10 bar	110	25	3,4	210	1,9	191	2.2
110/32	35.347.1132.31	110/32 - SDR33/21 MOP 10 bar	110	32	3,4	210	2,4	191	2.2
110/40	35.347.1140.31	110/40 - SDR33/21 MOP 10 bar	110	40	3,4	210	2,4	286	5.53
110/50	35.347.1150.31	110/50 - SDR33/21 MOP 10 bar	110	50	3,4	210	3	286	5.44
110/63	35.347.1163.31	110/63 - SDR33/21 MOP 10 bar	110	63	3,4	210	3	286	5.29