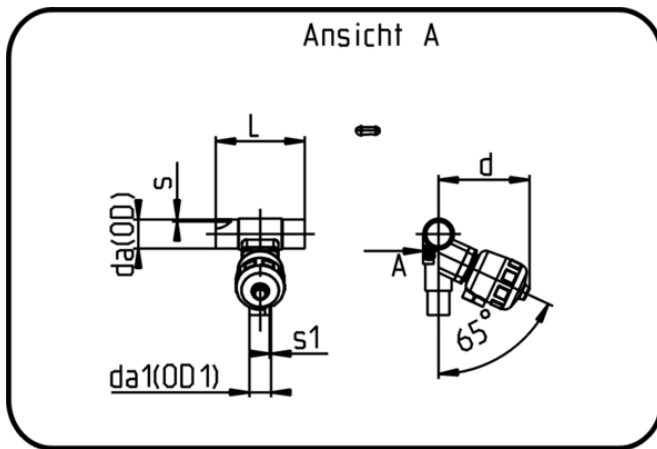


Valves



Code: 345

- **T-Diaphragm Valve Pneumatic**

- closed by resilience
- EPDM/PTFE diaphragm

- **Butt+IR+HPF-welding**

- **PVDF UHP natural**

Dimension	Code	Detail	da(OD) mm	da1(OD 1) mm	s mm	L mm	s1 mm	d mm	Weight
20/20	35.345.2020.21	20/20 - SDR21 MOP 10 bar	20	20	1,9	164	1,9	169	1.6
25/20	35.345.2520.21	25/20 - SDR21 MOP 10 bar	25	20	1,9	164	1,9	169	1.94
25/25	35.345.2525.21	25/25 - SDR21 MOP 10 bar	25	25	1,9	164	1,9	169	1.6
32/20	35.345.3220.21	32/20 - SDR21 MOP 10 bar	32	20	2,4	164	1,9	179	2.14
32/25	35.345.3225.21	32/25 - SDR21 MOP 10 bar	32	25	2,4	164	1,9	179	2.07
32/32	35.345.3232.21	32/32 - SDR21 MOP 10 bar	32	32	2,4	164	2,4	179	2.07
40/20	35.345.4020.21	40/20 - SDR21 MOP 10 bar	40	20	2,4	184	1,9	179	2.12
40/25	35.345.4025.21	40/25 - SDR21 MOP 10 bar	40	25	2,4	184	1,9	179	2.068
40/32	35.345.4032.21	40/32 - SDR21 MOP 10 bar	40	32	2,4	184	2,4	179	2.12
40/40	35.345.4040.21	40/40 - SDR21 MOP 10 bar	40	40	2,4	235	2,4	277	7.11
50/20	35.345.5020.21	50/20 - SDR21 MOP 10 bar	50	20	3	184	1,9	179	2.19
50/25	35.345.5025.21	50/25 - SDR21 MOP 10 bar	50	25	3	184	1,9	179	2.18
50/32	35.345.5032.21	50/32 - SDR21 MOP 10 bar	50	32	3	184	2,4	179	2
50/50	35.345.5050.21	50/50 - SDR21 MOP 10 bar	50	50	3	235	3	288	7.375
63/20	35.345.6320.21	63/20 - SDR21 MOP 10 bar	63	20	3	184	1,9	179	2.26
63/25	35.345.6325.21	63/25 - SDR21 MOP 10 bar	63	25	3	184	1,9	179	2.26
63/32	35.345.6332.21	63/32 - SDR21 MOP 10 bar	63	32	3	184	2,4	179	2.26
63/40	35.345.6340.21	63/40 - SDR21 MOP 10 bar	63	40	3	236	2,4	286	7.13
63/50	35.345.6350.21	63/50 - SDR21 MOP 10 bar	63	50	3	236	3	286	7.12
63/63	35.345.6363.21	63/63 - SDR21 MOP 10 bar	63	63	3	236	3	286	7.475
75/25	35.345.7525.21	75/25 - SDR21 MOP 10 bar	75	25	3,6	210	1,9	184	2.43
75/32	35.345.7532.21	75/32 - SDR21 MOP 10 bar	75	32	3,6	210	2,4	184	2.44
75/40	35.345.7540.21	75/40 - SDR21 MOP 10 bar	75	40	3,6	210	2,4	284	7.26

Dimension	Code	Detail	da(OD) mm	da1(OD 1) mm	s mm	L mm	s1 mm	d mm	Weight
75/50	35.345.7550.21	75/50 - SDR21 MOP 10 bar	75	50	3,6	210	3	284	7.25
75/63	35.345.7563.21	75/63 - SDR21 MOP 10 bar	75	63	3,6	210	3	284	7.91
90/20	35.345.9020.21	90/20 - SDR21 MOP 10 bar	90	20	4,3	210	1,9	187	2.62
90/25	35.345.9025.21	90/25 - SDR21 MOP 10 bar	90	25	4,3	210	1,9	187	2.62
90/32	35.345.9032.21	90/32 - SDR21 MOP 10 bar	90	32	4,3	210	2,4	187	2.63
90/40	35.345.9040.21	90/40 - SDR21 MOP 10 bar	90	40	4,3	210	2,4	286	7.44
90/50	35.345.9050.21	90/50 - SDR21 MOP 10 bar	90	50	4,3	210	3	286	7.44
90/63	35.345.9063.21	90/63 - SDR21 MOP 10 bar	90	63	4,3	210	3	286	7.41
110/20	35.345.1120.21	110/20 - SDR21 MOP 10 bar	110	20	5,3	210	1,9	191	2.99
110/25	35.345.1125.21	110/25 - SDR21 MOP 10 bar	110	25	5,3	210	1,9	191	1.06
110/32	35.345.1132.21	110/32 - SDR21 MOP 10 bar	110	32	5,3	210	2,4	191	2.93
110/40	35.345.1140.21	110/40 - SDR21 MOP 10 bar	110	40	5,3	210	2,4	286	7.77
110/50	35.345.1150.21	110/50 - SDR21 MOP 10 bar	110	50	5,3	210	3	286	7.77
110/63	35.345.1163.21	110/63 - SDR21 MOP 10 bar	110	63	5,3	210	3	286	7.62
90/20	35.345.9020.31	90/20 - SDR33/21 MOP 10 bar	90	20	4,3	210	1,9	187	2.53
90/25	35.345.9025.31	90/25 - SDR33/21 MOP 10 bar	90	25	2,8	210	1,9	187	2.52
90/32	35.345.9032.31	90/32 - SDR33/21 MOP 10 bar	90	32	2,8	210	2,4	187	2.53
90/40	35.345.9040.31	90/40 - SDR33/21 MOP 10 bar	90	40	2,8	210	2,4	286	7.35
90/50	35.345.9050.31	90/50 - SDR33/21 MOP 10 bar	90	50	2,8	210	3	286	7.35
90/63	35.345.9063.31	90/63 - SDR33/21 MOP 10 bar	90	63	2,8	210	3	286	7.32
110/20	35.345.1120.31	110/20 - SDR33/21 MOP 10 bar	110	20	3,4	210	1,9	191	2.87
110/25	35.345.1125.31	110/25 - SDR33/21 MOP 10 bar	110	25	3,4	210	1,9	191	2.82
110/32	35.345.1132.31	110/32 - SDR33/21 MOP 10 bar	110	32	3,4	210	2,4	191	2.82
110/40	35.345.1140.31	110/40 - SDR33/21 MOP 10 bar	110	40	3,4	210	2,4	286	7.64
110/50	35.345.1150.31	110/50 - SDR33/21 MOP 10 bar	110	50	3,4	210	3	286	7.64
110/63	35.345.1163.31	110/63 - SDR33/21 MOP 10 bar	110	63	3,4	210	3	286	7.49