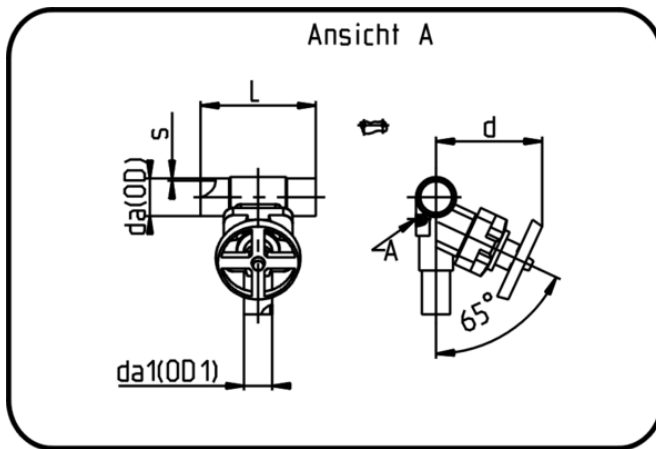


Valves



Code: 343

- T-Diaphragm Valve
- manually controlled
- EPDM/PTFE diaphragm
- Butt+IR+HPF-welding
- PVDF UHP natural

Dimension	Code	Detail	da(OD) mm	da1(OD1) mm	s mm	L mm	d mm	Weight
20/20	35.343.2020.21	20/20 - SDR21 MOP 10 bar	20	20	1,9	164	118	0.611
25/20	35.343.2520.21	25/20 - SDR21 MOP 10 bar	25	20	1,9	164	118	0.6
25/25	35.343.2525.21	25/25 - SDR21 MOP 10 bar	25	25	1,9	164	118	0.598
32/20	35.343.3220.21	32/20 - SDR21 MOP 10 bar	32	20	2,4	164	128	0.88
32/25	35.343.3225.21	32/25 - SDR21 MOP 10 bar	32	25	2,4	164	128	0.88
32/32	35.343.3232.21	32/32 - SDR21 MOP 10 bar	32	32	2,4	164	128	0.91
40/20	35.343.4020.21	40/20 - SDR21 MOP 10 bar	40	20	2,4	184	128	0.913
40/25	35.343.4025.21	40/25 - SDR21 MOP 10 bar	40	25	2,4	184	128	0.916
40/32	35.343.4032.21	40/32 - SDR21 MOP 10 bar	40	32	2,4	184	128	0.929
40/40	35.343.4040.21	40/40 - SDR21 MOP 10 bar	40	40	2,4	237	189	2.73
50/20	35.343.5020.21	50/20 - SDR21 MOP 10 bar	50	20	3	184	128	0.978
50/25	35.343.5025.21	50/25 - SDR21 MOP 10 bar	50	25	3	184	128	1.022
50/32	35.343.5032.21	50/32 - SDR21 MOP 10 bar	50	32	3	184	128	1
50/40	35.343.5040.21	50/40 - SDR21 MOP 10 bar	50	40	3	237	200	3.01
50/50	35.343.5050.21	50/50 - SDR21 MOP 10 bar	50	50	3	235	200	3.02
63/20	35.343.6320.21	63/20 - SDR21 MOP 10 bar	63	20	3	184	128	1.12
63/25	35.343.6325.21	63/25 - SDR21 MOP 10 bar	63	25	3	184	128	1.058
63/32	35.343.6332.21	63/32 - SDR21 MOP 10 bar	63	32	3	184	128	1.075
63/40	35.343.6340.21	63/40 - SDR21 MOP 10 bar	63	40	3	235	199	3.102
63/50	35.343.6350.21	63/50 - SDR21 MOP 10 bar	63	50	3	235	199	3.12
63/63	35.343.6363.21	63/63 - SDR21 MOP 10 bar	63	63	3	235	199	3.175
75/25	35.343.7525.21	75/25 - SDR21 MOP 10 bar	75	25	3,6	210	133	1.232
75/32	35.343.7532.21	75/32 - SDR21 MOP 10 bar	75	32	3,6	210	133	1.26

Dimension	Code	Detail	da(OD) mm	da1(OD1) mm	s mm	L mm	d mm	Weight
75/40	35.343.7540.21	75/40 - SDR21 MOP 10 bar	75	40	3,6	210	199	3.26
75/50	35.343.7550.21	75/50 - SDR21 MOP 10 bar	75	50	3,6	210	199	3.198
75/63	35.343.7563.21	75/63 - SDR21 MOP 10 bar	75	63	3,6	210	199	3.195
90/20	35.343.9020.21	90/20 - SDR21 MOP 10 bar	90	20	4,3	210	135	0.92
90/25	35.343.9025.21	90/25 - SDR21 MOP 10 bar	90	25	4,3	210	135	1.49
90/32	35.343.9032.21	90/32 - SDR21 MOP 10 bar	90	32	4,3	210	135	1.45
90/40	35.343.9040.21	90/40 - SDR21 MOP 10 bar	90	40	4,3	210	199	3.325
90/50	35.343.9050.21	90/50 - SDR21 MOP 10 bar	90	50	4,3	210	199	3.42
90/63	35.343.9063.21	90/63 - SDR21 MOP 10 bar	90	63	4,3	210	199	3.357
110/20	35.343.1120.21	110/20 - SDR21 MOP 10 bar	110	20	5,3	210	140	1.79
110/25	35.343.1125.21	110/25 - SDR21 MOP 10 bar	110	25	5,3	210	140	1.74
110/32	35.343.1132.21	110/32 - SDR21 MOP 10 bar	110	32	5,3	210	140	1.72
110/40	35.343.1140.21	110/40 - SDR21 MOP 10 bar	110	40	5,3	210	199	3.705
110/50	35.343.1150.21	110/50 - SDR21 MOP 10 bar	110	50	5,3	210	199	3.7
110/63	35.343.1163.21	110/63 - SDR21 MOP 10 bar	110	63	5,3	210	199	3.77
140/32	35.343.1432.21	140/32 - SDR21 MOP 10 bar	140	32	6,7	210	144	2.28
140/40	35.343.1440.21	140/40 - SDR21 MOP 10 bar	140	40	6,7	250	205	4.61
140/50	35.343.1450.21	140/50 - SDR21 MOP 10 bar	140	50	6,7	250	205	4.625
140/63	35.343.1463.21	140/63 - SDR21 MOP 10 bar	140	63	6,7	250	205	4.595
160/32	35.343.1632.21	160/32 - SDR21 MOP 10 bar	160	32	7,7	212	144	2.63
160/40	35.343.1640.21	160/40 - SDR21 MOP 10 bar	160	40	7,7	250	205	4.895
160/50	35.343.1650.21	160/50 - SDR21 MOP 10 bar	160	50	7,7	250	205	4.915
160/63	35.343.1663.21	160/63 - SDR21 MOP 10 bar	160	63	7,7	250	205	4.925
90/20	35.343.9020.31	90/20 - SDR33/21 MOP 10 bar	90	20	2,8	210	135	1.33
90/25	35.343.9025.31	90/25 - SDR33/21 MOP 10 bar	90	25	2,8	210	135	1.33
90/32	35.343.9032.31	90/32 - SDR33/21 MOP 10 bar	90	32	2,8	210	135	1.34
90/40	35.343.9040.31	90/40 - SDR33/21 MOP 10 bar	90	40	2,8	210	199	3.27
90/50	35.343.9050.31	90/50 - SDR33/21 MOP 10 bar	90	50	2,8	210	199	3.38
90/63	35.343.9063.31	90/63 - SDR33/21 MOP 10 bar	90	63	2,8	210	199	3.24
110/20	35.343.1120.31	110/20 - SDR33/21 MOP 10 bar	110	20	3,4	210	140	1.67
110/25	35.343.1125.31	110/25 - SDR33/21 MOP 10 bar	110	25	3,4	210	140	1.62
110/32	35.343.1132.31	110/32 - SDR33/21 MOP 10 bar	110	32	3,4	210	140	1.62
110/40	35.343.1140.31	110/40 - SDR33/21 MOP 10 bar	110	40	3,4	210	199	3.64
110/50	35.343.1150.31	110/50 - SDR33/21 MOP 10 bar	110	50	3,4	210	199	3.65
110/63	35.343.1163.31	110/63 - SDR33/21 MOP 10 bar	110	63	3,4	210	199	3.71