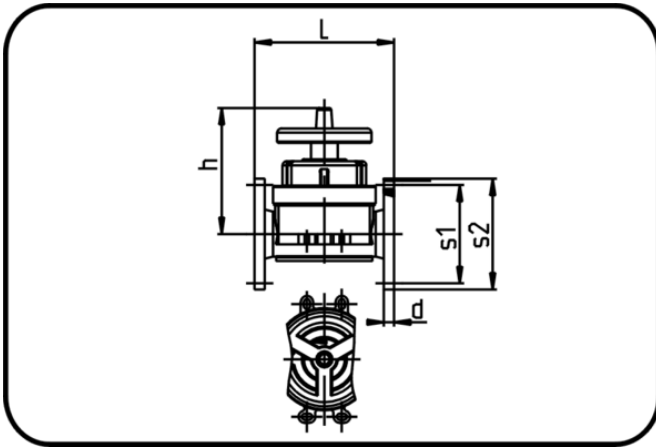


## Valves



Code: 342.20

- **Diaphragm Valve**
- manually controlled
- EPDM/PTFE diaphragm
- **Flange connection DIN/ANSI/JIS**
- **PVDF UHP natural**

Dimension	Code	Detail	da(OD) mm	L mm	h mm	s2 mm	d mm	s1 mm	Weight
40	35.342.2040.21	40 - MOP 10 bar	40	180	144	140	19	94	2.21
50	35.342.2050.21	50 - MOP 10 bar	50	200	144	150	23	103	2.55
63	35.342.2063.21	63 - MOP 10 bar	63	230	170	165	25	122	3.87
90	35.342.2090.21	90 - MOP 10 bar	90	310	254	200	19	150	7.614
110	35.342.2011.21	110 - MOP 10 bar	110	350	320	228	35	210	13.875
140	35.342.2014.21	140 - MOP 10 bar	140	450	320	248	35	210	15.3