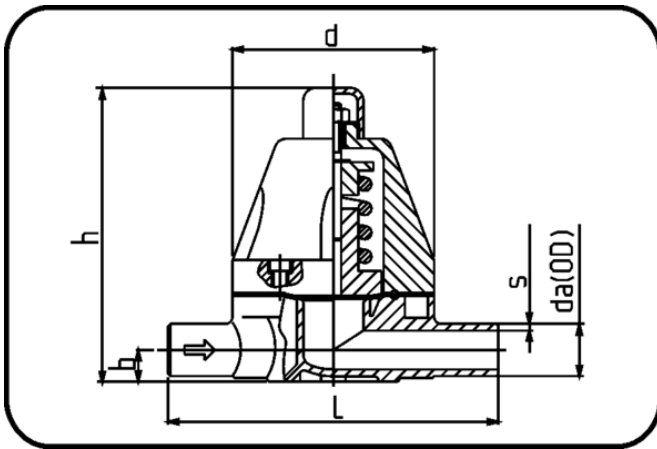


## Valves



Code: 244

- Pressure retaining valve V186
- PTFE diaphragm
- injection moulded
- Butt+IR-welding
- PVDF UHP natural

Dimension	Code	Detail	da(OD) mm	s mm	L mm	d mm	h mm	b mm	Weight
20	35.244.0020.21	20 - SDR21 MOP 10 bar	20	1,9	158	83	137	20	0.6
25	35.244.0025.21	25 - SDR21 MOP 10 bar	25	1,9	158	83	137	20	0.6
32	35.244.0032.21	32 - SDR21 MOP 10 bar	32	2,4	198	112	199	27	1.471
40	35.244.0040.21	40 - SDR21 MOP 10 bar	40	2,4	202	112	199	27	1.6
50	35.244.0050.21	50 - SDR21 MOP 10 bar	50	3	256	165	290	43	8
63	35.244.0063.21	63 - SDR21 MOP 10 bar	63	3	256	165	290	43	8.2