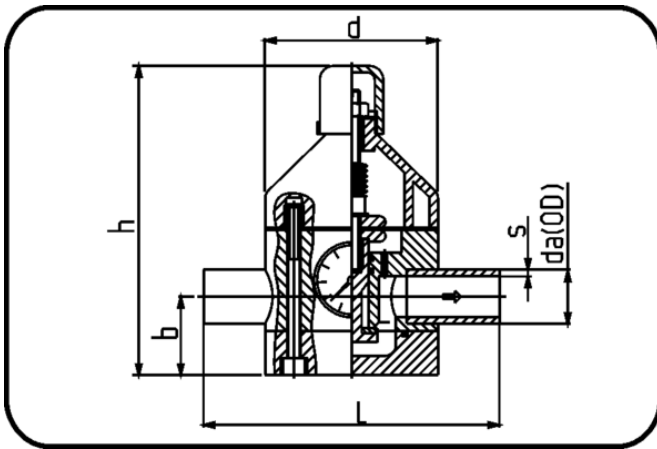


Valves



Code: 241.1

- Pressure reducing valve V82
- with gauge guard/stainless
- Butt+IR-welding
- PVDF UHP natural

Dimension	Code	Detail	da(OD) mm	s mm	L mm	d mm	h mm	b mm	Weight
20	35.241.1020.21	20 - SDR21 MOP 10 bar	20	1,9	150	70	130	30	0.967
25	35.241.1025.21	25 - SDR21 MOP 10 bar	25	1,9	190	100	170	40	1.679
32	35.241.1032.21	32 - SDR21 MOP 10 bar	32	2,4	190	100	170	40	1.625
40	35.241.1040.21	40 - SDR21 MOP 10 bar	40	2,4	240	130	230	55	3.935
50	35.241.1050.21	50 - SDR21 MOP 10 bar	50	3	240	130	230	55	3.865
63	35.241.1063.21	63 - SDR21 MOP 10 bar	63	3	260	155	285	75	5.265
75	35.241.1075.21	75 - SDR21 MOP 6 bar	75	3,6	300	190	350	100	13.34