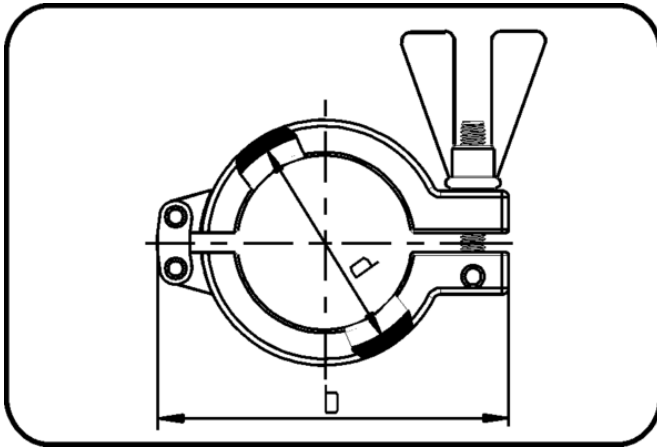


Backing Rings, Accessories



Code: 048

- **Clamp f. San. Joint Fitting**
- TWINCLAMP (2 shells)
- **stainless steel 1.4408 HP**

Dimension	Code	Detail	da(OD) mm	d mm	b mm	Weight
20/25/32	90.048.2032.21	20/25/32	20	50,5	88	0.232
40/50	90.048.4050.21	40/50	40	64	107	0.335
63	90.048.0063.21	63	63	77,5	125	0.375