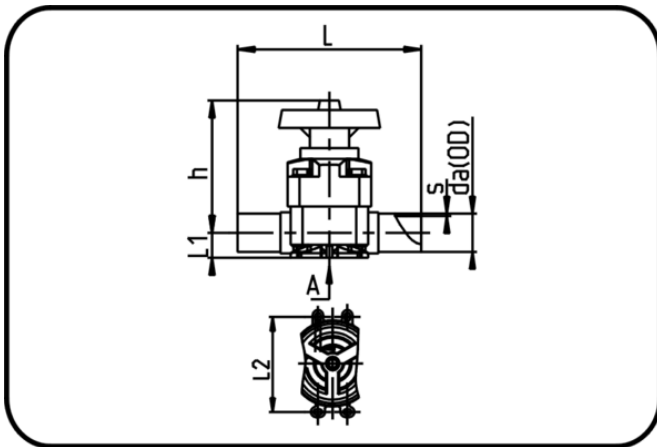


Valves



Code: 342.15

- Diaphragm Valve
- manually controlled
- EPDM/PTFE diaphragm
- Butt+IR-welding
- PP Pure grey

Dimension	Code	Detail	da(OD) mm	s mm	L mm	L2 mm	h mm	L1 mm	Weight
20	72.342.1520.11	20 - SDR11 ISO S-5	20	1,9	133	24,5	100	16,5	0.443
25	72.342.1525.11	25 - SDR11 ISO S-5	25	2,7	144	24,5	100	16,5	0.449
32	72.342.1532.11	32 - SDR11 ISO S-5	32	2,9	154	24,5	107	20,5	0.643
40	72.342.1540.11	40 - SDR11 ISO S-5	40	3,7	193	44	144	25,5	1.484
50	72.342.1550.11	50 - SDR11 ISO S-5	50	4,6	194	44	144	32	1.464
63	72.342.1563.11	63 - SDR11 ISO S-5	63	5,8	224	44	170	38,5	2.259
75	72.342.1575.11	75 - SDR11 ISO S-5	75	6,8	284	230	254	25	5.13
90	72.342.1590.11	90 - SDR11 ISO S-5	90	8,2	300	230	254	25	5.13
110	72.342.1511.11	110 - SDR11 ISO S-5	110	10	340	280	320	25	9.92