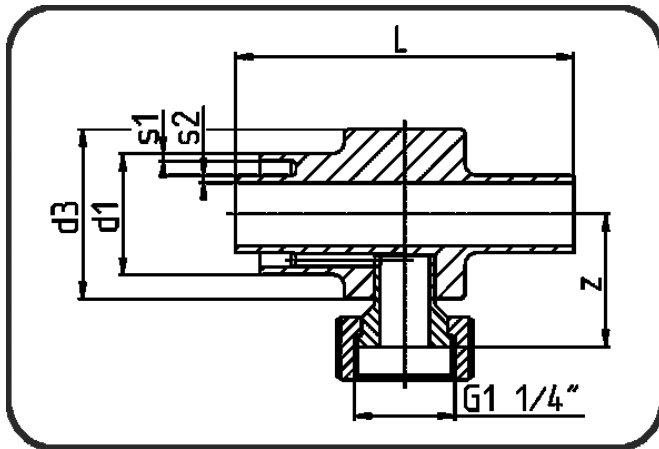


## PPR Poly-Flo



Code: 196.1

- **Poly-Flo Measuring Fitting**
- with transition to single tube
- machined
- **simultaneous + cascade welding**
- **PPR grey**

Dimension	Code	Detail	d1 mm	d2 mm	s1 mm	s2 mm	L mm	z mm	Weight
50/32	11.196.5033.71	50/32 SDR17/11	50	32	3	3	140	55	0.237
90/63	11.196.9064.71	90/63 SDR17/11	90	63	5,4	5,8	140	71	0.483
160/110	11.196.1612.71	160/110 SDR17/11	160	110	9,5	10	140	100	1.225