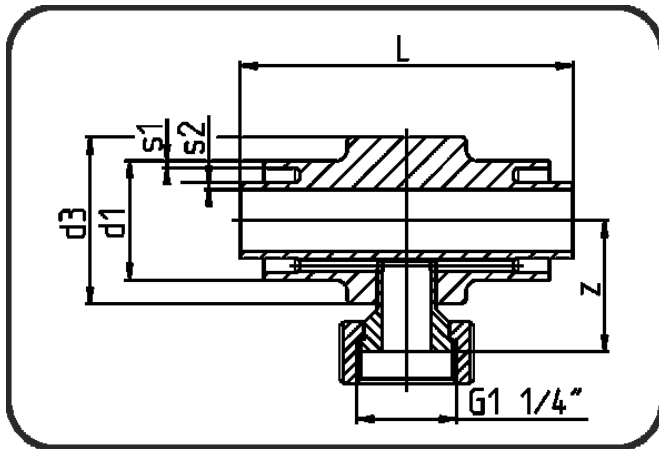


PE 100-RC Poly-Flo



Code: 196.2

- **Poly-Flo Measuring Fitting**
- both side leakage control
- machined
- **simultaneous + cascade welding**
- **PE 100-RC black**

Dimension	Code	Detail	d1 mm	d2 mm	s1 mm	s2 mm	L mm	z mm	Weight
50/32	70.196.5034.71	50/32 SDR17/11	50	32	3	3	140	55	0.29
90/63	70.196.9065.71	90/63 SDR17/11	90	63	5,4	5,8	140	71	0.59
160/110	70.196.1613.71	160/110 SDR17/11	160	110	9,5	10	140	100	1.51