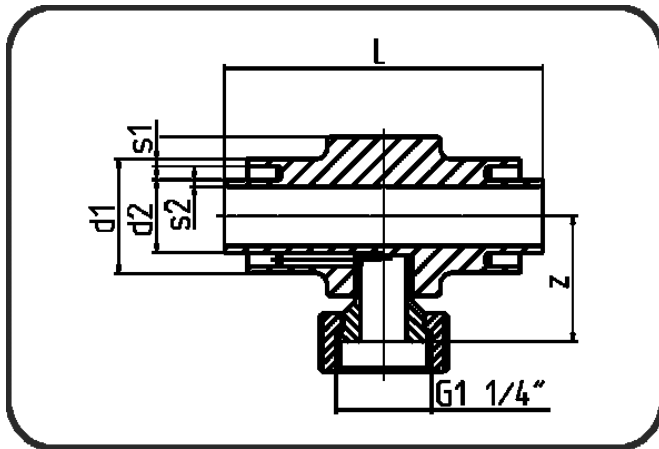


PE 100-RC Poly-Flo



Code: 196

- **Poly-Flo Measuring Fitting**
- one side leakage control
- machined
- **simultaneous + cascade welding**
- **PE 100-RC black**

Dimension	Code	Detail	L mm	s1 mm	s2 mm	d1 mm	d2 mm	d3 mm	Weight
50/32	70.196.5032.71	50/32 SDR17/11	140	3	3	50	32	70	0.287
90/63	70.196.9063.71	90/63 SDR17/11	140	5,4	5,8	90	63	102	0.69
160/110	70.196.1611.71	160/110 SDR17/11	140	9,5	10	160	110	160	1.86