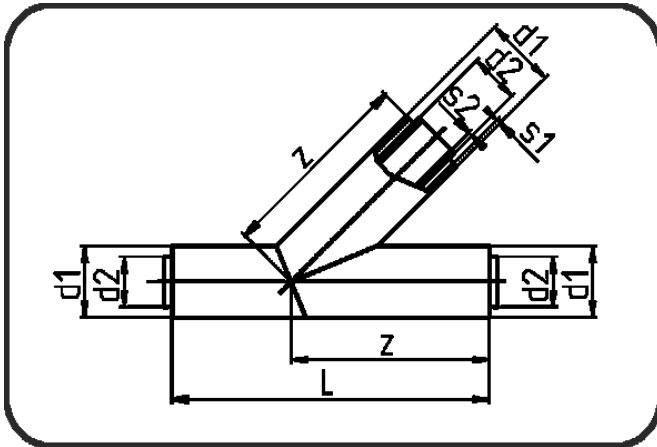


PPR Poly-Flo



Code: 192.1

- Poly-Flo Lateral
- derating factor 0.5
- segmented
- simultaneous + cascade welding
- PPR grey

| Dimension | Code | Detail | s1 mm | s2 mm | d1 mm | d2 mm | L mm | L1 mm | Weight |
|-----------|----------------|------------------|----------|----------|----------|----------|---------|----------|--------|
| 50/32 | 11.192.5033.71 | 50/32 SDR17/11 | 3 | 3 | 50 | 32 | 300 | 10 | 0.35 |
| 90/63 | 11.192.9064.71 | 90/63 SDR17/11 | 5,4 | 5,8 | 90 | 63 | 400 | 10 | 1.41 |
| 160/110 | 11.192.1612.71 | 160/110 SDR17/11 | 9,5 | 10 | 160 | 110 | 550 | 10 | 5.71 |