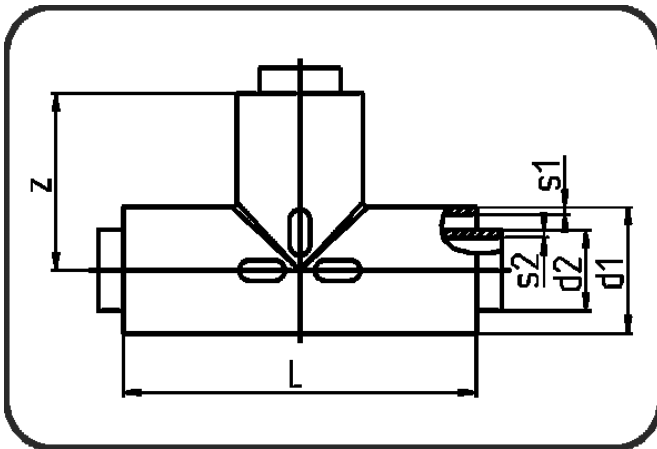


PPR Poly-Flo



Code: 192

- Poly-Flo Tee
- injection moulded
- simultaneous + cascade welding
- PPR grey

Dimension	Code	Detail	z mm	L mm	s1 mm	s2 mm	d1 mm	d2 mm	Weight
50/32	11.192.5032.71	50/32 SDR17/11	73	146	3	3	50	32	0.163
90/63	11.192.9063.71	90/63 SDR17/11	100	200	5,4	5,8	90	63	0.714
160/110	11.192.1611.71	160/110 SDR17/11	155	310	9,5	10	160	110	3.14