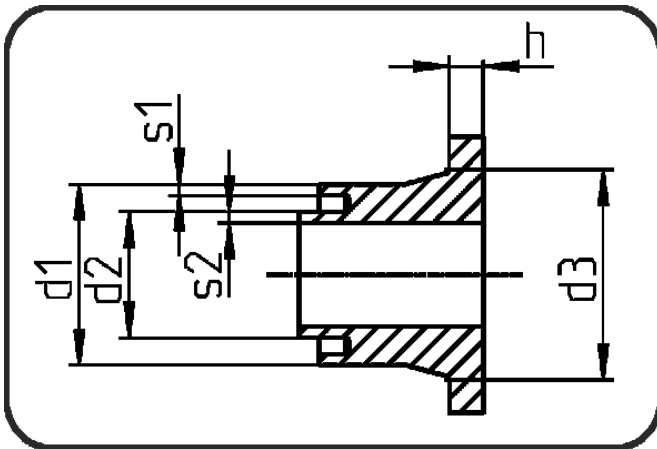


PPR Poly-Flo



Code: 194

- Poly-Flo Stub Flange
- solid
- machined
- simultaneous + cascade welding
- PPR grey

Dimension	Code	Detail	L mm	s1 mm	s2 mm	d4 mm	d1 mm	d2 mm	Weight
50/32	11.194.5032.71	50/32 SDR17/11	65	3	3	88	50	32	0.123
90/63	11.194.9063.71	90/63 SDR17/11	72	5,4	5,8	138	90	63	0.47
160/110	11.194.1611.71	160/110 SDR17/11	104	9,5	10	212	160	110	1.55