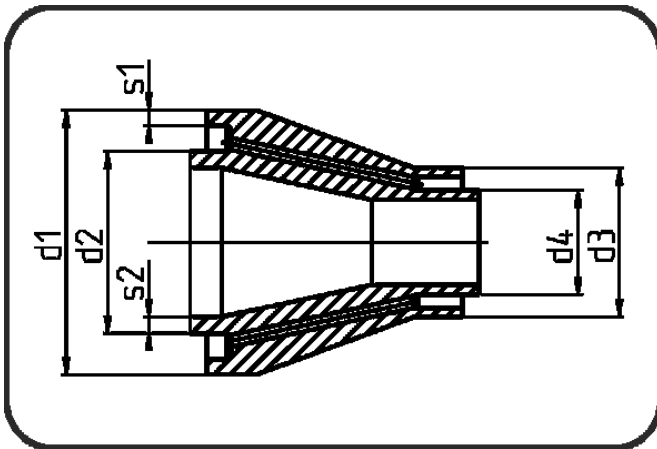


## PE 100-RC Poly-Flo



Code: 198

- Poly-Flo Reducer
- concentric
- machined
- simultaneous + cascade welding
- PE 100-RC black

Dimension	Code	Detail	d1 mm	d2 mm	d3 mm	d4 mm	s1 mm	s2 mm	Weight
90/63	70.198.6332.71	90/63-50/32 SDR17/11	90	63	50	32	5,4	5,8	0.28
160/110	70.198.1163.71	160/110-90/63 SDR17/11	160	110	90	63	9,5	10	1.26