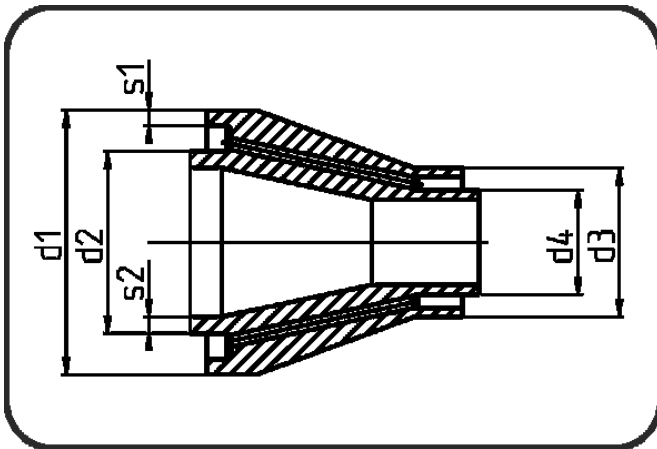


PPR Poly-Flo



Code: 198

- **Poly-Flo Reducer**
- concentric
- machined
- **simultaneous + cascade welding**
- **PPR grey**

Dimension	Code	Detail	d1 mm	d2 mm	d3 mm	d4 mm	s1 mm	s2 mm	Weight
90/63	11.198.6332.71	90/63-50/32 SDR17/11	90	63	50	32	5,4	5,8	0.265
160/110	11.198.1163.71	160/110-90/63 SDR17/11	160	110	90	63	9,5	10	1.194