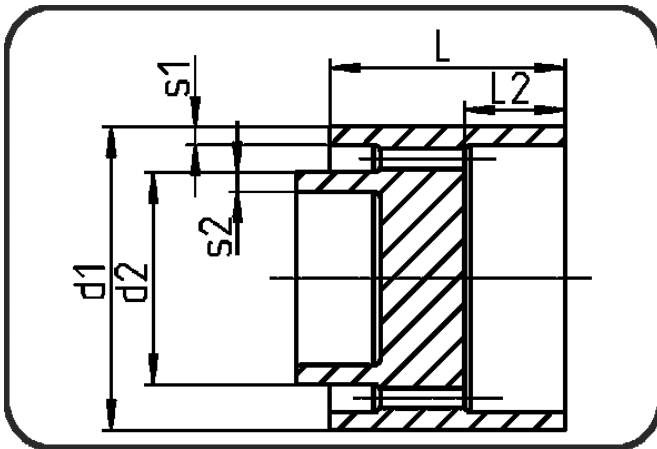


PPR Poly-Flo



Code: 197.1

- Poly-Flo Outer Wall Adaptor
- machined
- simultaneous + cascade welding
- PPR grey

Dimension	Code	Detail	d1 mm	d2 mm	s1 mm	s2 mm	L mm	L2 mm	Weight
50/32	11.197.5033.71	50/32 SDR17/11	50	32	3	3	55	25	0.06
90/63	11.197.9064.71	90/63 SDR17/11	90	63	5,4	5,8	70	30	0.23
160/110	11.197.1612.71	160/110 SDR17/11	160	110	9,5	10	105	55	0.9