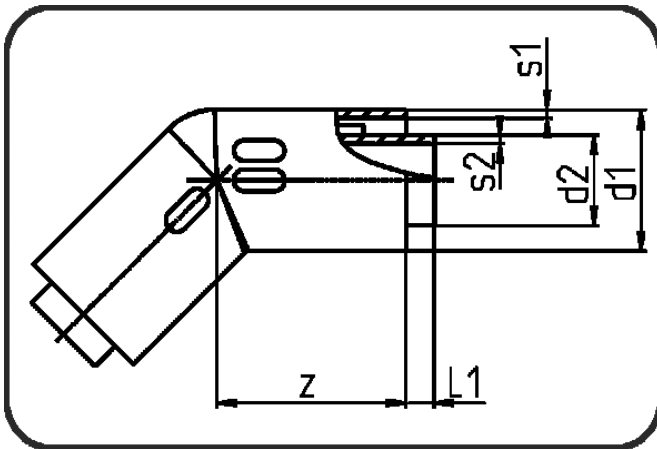


## PE 100-RC Poly-Flo



Code: 191

- Poly-Flo Elbow 45°
- injection moulded
- simultaneous + cascade welding
- PE 100-RC black

Dimension	Code	Detail	z mm	L1 mm	s1 mm	s2 mm	d1 mm	d2 mm	Weight
50/32	70.191.5032.71	50/32 SDR17/11	70	7	3	3	50	32	0.12
90/63	70.191.9063.71	90/63 SDR17/11	77	10	5,4	5,8	90	63	0.45
160/110	70.191.1611.71	160/110 SDR17/11	107	10	9,5	10	160	110	1.88