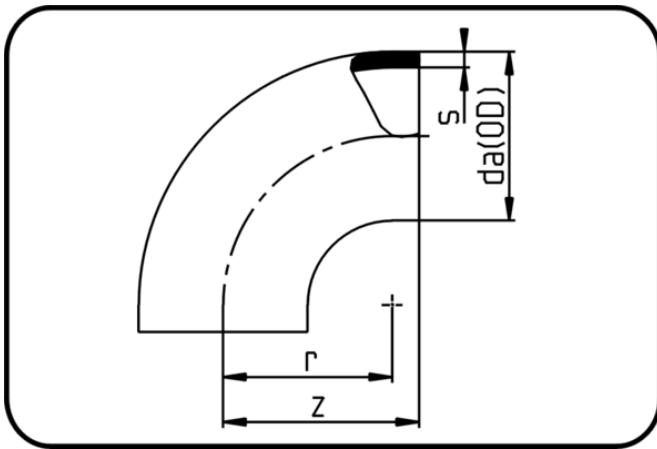


Fittings



Code: 001

- Bend 90°
- short spigot
- injection moulded
- Butt+IR-welding
- PP Pure grey

Dimension	Code	Detail	da(OD) mm	s mm	z mm	r mm	Weight
250	72.001.0250.11	250X22,7 SDR11 ISO S-5	250	22,7	290	265	7.35
280	72.001.0280.11	280X25,4 SDR11 ISO S-5	280	25,4	290	265	8.84
315	72.001.0315.11	315X28,6 SDR11 ISO S-5	315	28,6	340	300	13.42