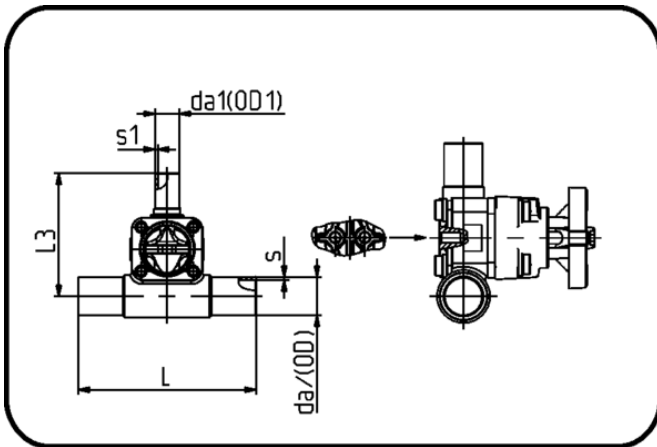


Valves



Code: 72.343

- T-Diaphragm Valve
- manually controlled
- EPDM/PTFE diaphragm
- Butt+IR-welding
- PP Pure grey

| Dimension | Code | Detail | da(OD) mm | da1(OD 1) mm | s mm | L mm | L3 mm | s1 mm | Weight |
|-----------|----------------|--------------------------|--------------|--------------------|---------|---------|----------|----------|--------|
| 20/20 | 72.343.2021.11 | 20/20 - SDR11 MOP 10 bar | 20 | 20 | 1,9 | 164 | 112 | 1,9 | 0.459 |
| 25/20 | 72.343.2521.11 | 25/20 - SDR11 MOP 10 bar | 25 | 20 | 2,3 | 164 | 115,5 | 1,9 | 0.491 |
| 25/25 | 72.343.2526.11 | 25/25 - SDR11 MOP 10 bar | 25 | 25 | 2,3 | 164 | 115,5 | 2,3 | 0.47 |
| 32/20 | 72.343.3221.11 | 32/20 - SDR11 MOP 10 bar | 32 | 20 | 2,9 | 164 | 122 | 1,9 | 0.68 |
| 32/25 | 72.343.3226.11 | 32/25 - SDR11 MOP 10 bar | 32 | 25 | 2,9 | 164 | 122 | 2,3 | 0.674 |
| 32/32 | 72.343.3233.11 | 32/32 - SDR11 MOP 10 bar | 32 | 32 | 2,9 | 164 | 122 | 2,9 | 0.66 |
| 40/20 | 72.343.4021.11 | 40/20 - SDR11 MOP 10 bar | 40 | 20 | 3,7 | 184 | 127 | 1,9 | 0.72 |
| 40/25 | 72.343.4026.11 | 40/25 - SDR11 MOP 10 bar | 40 | 25 | 3,7 | 184 | 127 | 2,7 | 0.722 |
| 40/32 | 72.343.4033.11 | 40/32 - SDR11 MOP 10 bar | 40 | 32 | 3,7 | 184 | 127 | 2,9 | 0.717 |
| 50/20 | 72.343.5021.11 | 50/20 - SDR11 MOP 10 bar | 50 | 20 | 4,6 | 184 | 131,5 | 1,9 | 0.77 |
| 50/32 | 72.343.5033.11 | 50/32 - SDR11 MOP 10 bar | 50 | 32 | 4,6 | 184 | 131,5 | 2,9 | 0.771 |
| 63/32 | 72.343.6333.11 | 63/32 - SDR11 MOP 10 bar | 63 | 32 | 5,8 | 184 | 138 | 2,9 | 0.834 |