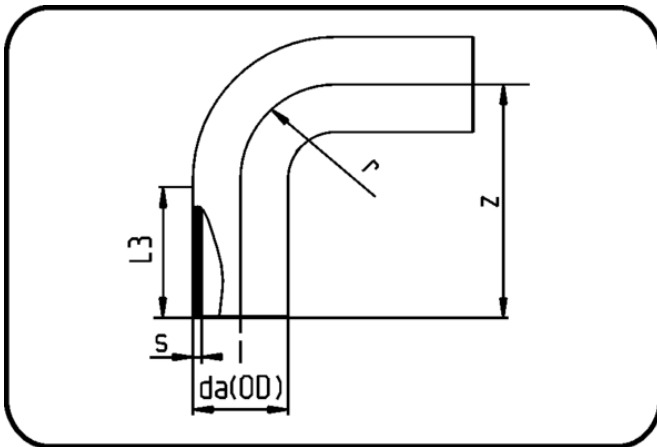


MULTI Fittings



Code: 068

- **MULTI-Bend 90°**
- long spigot
- injection moulded
- **Butt+IR-welding**
- **PVDF UHP natural**

Dimension	Code	Detail	da(OD) mm	s mm	z mm	r mm	L3 mm	Weight
90	35.068.0090.33	90X2,8 SDR33 ISO S-16	90	2,8	123	90	34	0.384
110	35.068.0110.33	110X3,4 SDR33 ISO S-16	110	3,4	142	110	34	0.656
140	35.068.0140.33	140X4,3 SDR33 ISO S-16	140	4,3	216	140	73	1.42
160	35.068.0160.33	160X4,9 SDR33 ISO S-16	160	4,9	236	160	73	1.98
225	35.068.0225.33	225X6,9 SDR33 ISO S-16	225	6,9	301	225	73	5.08
20	35.068.0020.21	20X1,9 SDR21 ISO S-10	20	1,9	51	20	33	0.021
25	35.068.0025.21	25X1,9 SDR21 ISO S-10	25	1,9	56	25	33	0.021
32	35.068.0032.21	32X2,4 SDR21 ISO S-10	32	2,4	63	32	33	0.05
40	35.068.0040.21	40X2,4 SDR21 ISO S-10	40	2,4	72	40	36	0.073
50	35.068.0050.21	50X3,0 SDR21 ISO S-10	50	3	84	50	36	0.131
63	35.068.0063.21	63X3,0 SDR21 ISO S-10	63	3	97	63	34	0.203
75	35.068.0075.21	75X3,6 SDR21 ISO S-10	75	3,6	100	75	28	0.293
90	35.068.0090.21	90X4,3 SDR21 ISO S-10	90	4,3	123	90	34	0.52
110	35.068.0110.21	110X5,3 SDR21 ISO S-10	110	5,3	142	110	34	0.912
140	35.068.0140.21	140X6,7 SDR21 ISO S-10	140	6,7	216	140	73	2.02
160	35.068.0160.21	160X7,7 SDR21 ISO S-10	160	7,7	236	160	73	2.84
225	35.068.0225.21	225X10,8 SDR21 ISO S-10	225	10,8	301	225	73	7.25