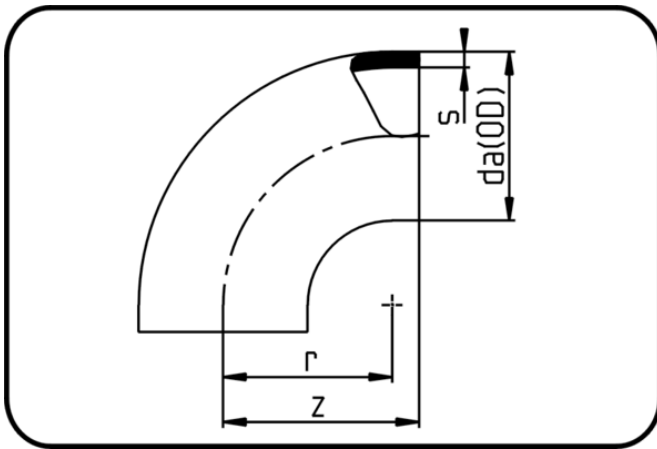


Fittings with short Spigot



Code: 001

- **Bend 90°**
- short spigot
- electrically conductive
- injection moulded
- **Butt-welding**
- **HDPE-el black**

Dimension	Code	Detail	da(OD) mm	s mm	z mm	r mm	Weight
125	28.001.0125.17	125X7,4 SDR17 ISO S-8	125	7,4	140	125	0.658
160	28.001.0160.17	160X9,5 SDR17 ISO S-8	160	9,5	180	155	1.44
180	28.001.0180.17	180X10,7 SDR17 ISO S-8	180	10,7	200	180	2.24
200	28.001.0200.17	200X11,9 SDR17 ISO S-8	200	11,9	220	200	2.895
225	28.001.0225.17	225X13,4 SDR17 ISO S-8	225	13,4	245	225	3.89
250	28.001.0250.17	250X14,8 SDR17 ISO S-8	250	14,8	285	265	6.38
315	28.001.0315.17	315X18,7 SDR17 ISO S-8	315	18,7	335	300	11.68
125	28.001.0125.11	125X11,4 SDR11 ISO S-5	125	11,4	140	125	0.96
180	28.001.0180.11	180X16,4 SDR11 ISO S-5	180	16,4	200	180	3
200	28.001.0200.11	200X18,2 SDR11 ISO S-5	200	18,2	220	200	4.22
225	28.001.0225.11	225X20,5 SDR11 ISO S-5	225	20,5	243	225	5.628
250	28.001.0250.11	250X22,7 SDR11 ISO S-5	250	22,7	290	265	8.26
315	28.001.0315.11	315X28,6 SDR11 ISO S-5	315	28,6	340	300	15.84