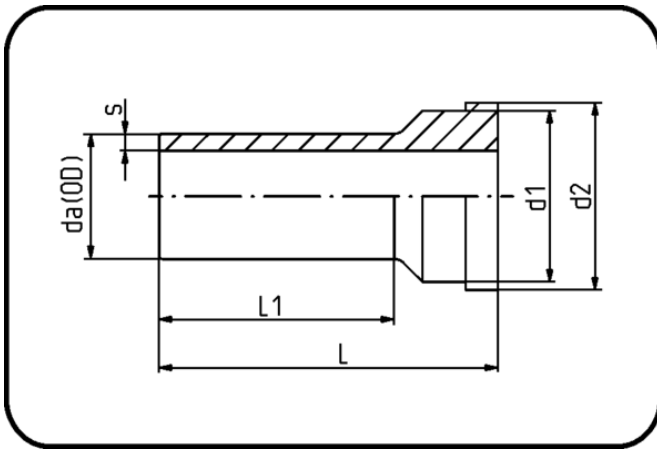


Fittings



Code: 024.2

- Union end
- spare part Union 024
- injection moulded
- Butt+IR+HPF-welding
- PVDF UHP natural

Dim. 20 - 63 Discontinued products.

Dimension	Code	Detail	da(OD) mm	s mm	L mm	L1 mm	d1 mm	d2 mm	Weight
20	35.024.2020.21	20X1,9 SDR21 ISO S-10	20	1,9	54	38	27,3	29,9	0.021
25	35.024.2025.21	25X1,9 SDR21 ISO S-10	25	1,9	55,5	40	35,7	38,6	0.036
32	35.024.2032.21	32X2,4 SDR21 ISO S-10	32	2,4	60	39	41,5	44,5	0.043
40	35.024.2040.21	40X2,4 SDR21 ISO S-10	40	2,4	63	42	52,6	56,3	0.067
50	35.024.2050.21	50X3,0 SDR21 ISO S-10	50	3	66	44	58,6	62,4	0.093
63	35.024.2063.21	63X3,0 SDR21 ISO S-10	63	3	69	44	73,6	78,1	0.132
75	35.024.2075.21	75X3,6 SDR21 ISO S-10	75	3,6	66	37	90	101	0.213
90	35.024.2090.21	90X4,3 SDR21 ISO S-10	90	4,3	65	55	90	101	0.179