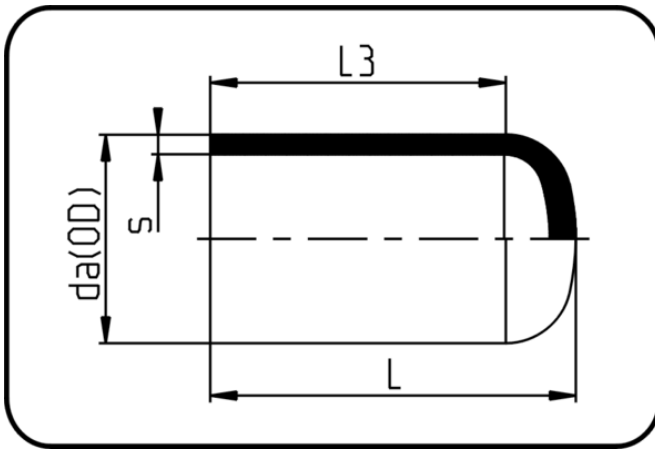


Fittings



Code: 064

- End Cap
- long spigot
- injection moulded
- Butt+IR-welding
- PVDF UHP natural

Dimension	Code	Detail	da(OD) mm	s mm	L mm	L3 mm	Weight
90	35.064.0090.33	90X2,8 SDR33 ISO S-16	90	2,8	110	84	0.261
110	35.064.0110.33	110X3,4 SDR33 ISO S-16	110	3,4	125	99	0.3
20	35.064.0020.21	20X1,9 SDR21 ISO S-10	20	1,9	48	41	0.011
25	35.064.0025.21	25X1,9 SDR21 ISO S-10	25	1,9	48	41	0.012
32	35.064.0032.21	32X2,4 SDR21 ISO S-10	32	2,4	52	42	0.023
40	35.064.0040.21	40X2,4 SDR21 ISO S-10	40	2,4	60	48	0.036
50	35.064.0050.21	50X3,0 SDR21 ISO S-10	50	3	64	48	0.059
63	35.064.0063.21	63X3,0 SDR21 ISO S-10	63	3	69	50	0.085
75	35.064.0075.21	75X3,6 SDR21 ISO S-10	75	3,6	93	75	0.175
90	35.064.0090.21	90X4,3 SDR21 ISO S-10	90	4,3	110	84	0.298
110	35.064.0110.21	110X5,3 SDR21 ISO S-10	110	5,3	125	99	0.454